

nevir

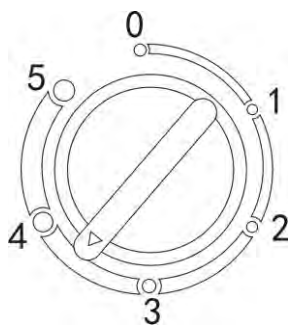
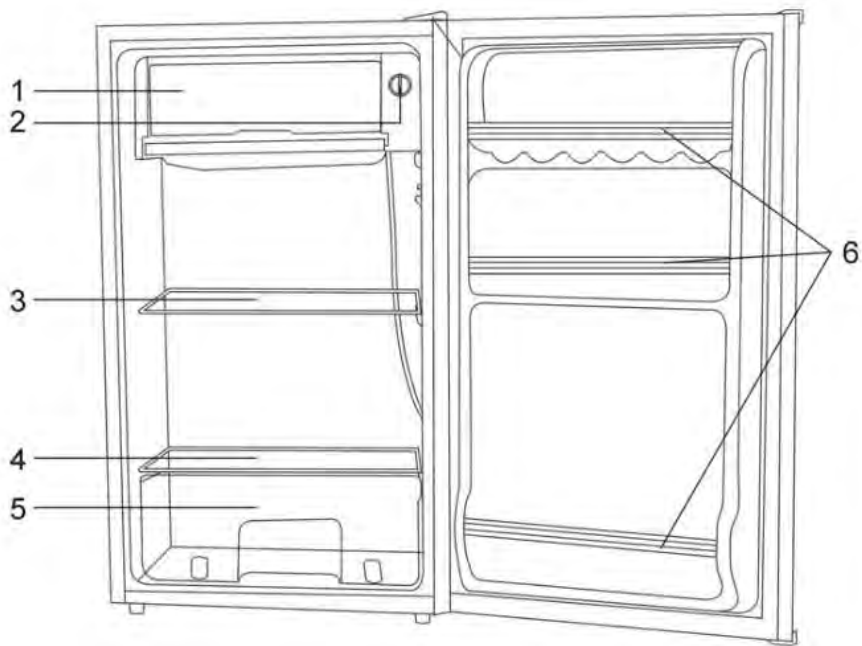
NVR-5500SDC

Table Top Refrigerator
Frigorífico Table Top

Frigorífico Table Top
Réfrigérateur Table Top



User instructions / Instruções de uso
Instrucciones de uso / Mode d'emploi



WARNING

This appliance is intended to be used in household and similar applications such as staff kitchen areas in shop, offices and other working environments; farm houses and by guests in hotels, motels and other residential environments; bed and breakfast type environments; catering and similar non-retail applications.

If the supply cord is damaged, it must be replaced by the manufacturer, its service agent or similarly qualified persons in order to avoid a hazard.

Do not store explosive substances such as aerosol cans with a flammable propellant in this appliance. The appliance has to be unplugged after use and before carrying out user maintenance on the appliance.

Warning: Keep ventilation openings, in the appliance enclosure or in the built-in structure, clear of obstruction.

Warning: Do not use mechanical devices or other means to accelerate the defrosting process, other than those recommended by the manufacturer.

Warning: Do not damage the refrigerator circuit.

Warning: Do not use electrical appliances inside the food storage compartments of the appliance, unless they are of the type recommended by the manufacturer.

Warning: Please dispose the refrigerator according to local regulations because it uses flammable blowing gas and refrigerator.

Warning: When positioning the appliance, ensure the supply cord is not trapped or damaged.

Warning: Do not locate multiple portable socket-outlets or portable power supplies at the rear of the appliance.

Do not use extension cord or ungrounded (two prong) adapters.

Danger: Risk of child entrapment. Before you throw away your old refrigerator or freezer:

- Take off the doors.
- Leave the shelves in place so that children may not easily climb inside.

The refrigerator must be disconnected from the source of electrical supply before attempting the installation of accessory.

Refrigerant and cyclopentane foaming material used for refrigerator are flammable. Therefore, when the refrigerator is scrapped, it shall be kept away from any fire source and be recovered by a special recovering company with corresponding qualification other than be disposed by combustion, so as to prevent damage to the environment or any other harm.

This appliance can be used by children aged from 8 years and above and people with impaired physical, sensory or mental abilities or with a lack of experience and knowledge provided that they are supervised or have received instruction in the safe use of this device, and about the resulting hazards. Cleaning and user maintenance shall not be made by children without supervision. Children aged from 3 to 8 years are allowed to load and unload appliance.

Children should be supervised to ensure that they do not play with the appliance. Children below the age of 3 must be kept away from the appliance unless they are under continuous adult supervision.

To avoid contamination of food, please respect the following instructions:

- Opening the door for long periods can cause a significant increase of the temperature in the compartments of the appliance.
- Clean regularly surfaces that can come in contact with food and accessible drainage systems.
- Store raw meat and fish in suitable containers in the refrigerator, so that it is not in contact with or drip onto other food.
- Two -**)- star frozen-food compartments are suitable for storing pre-frozen food, storing or making ice cream and making ice cubes.
- One -*)-, two -**)- and three-star -***)- compartments are not suitable for the freezing of fresh food.
- If the refrigerating appliance is left empty for long periods, switch off, defrost, clean, dry, and leave the door open to prevent mould developing within the appliance.



Warning: Risk of fire / flammable materials

Dear customer

Thank you for having chosen a NEVIR product.

The NEVIR products have been produced to think about the welfare of the consumer privileging the most raised standards of quality, functionality and assign. We are sure you will be happy with this appliance.

Your new appliance is designed exclusively for domestic use.

To ensure best use of your appliance, carefully read the instructions handbook which contains a description of the appliance and advice on storing and preserving food.

Keep this handbook for future reference and pass them on to whoever might acquire the appliance at a future date.

Before using the appliance

1. After unpacking, make sure that the appliance is undamaged, and that the door closes properly. Any damage must be reported to your dealer within 24 hours after delivery of the appliance.
2. Wait at least two hours before switching the appliance on in order to ensure the refrigerant circuit is fully efficient.
3. Installation of the appliance and electrical connections must be carried out by a qualified electrician, in accordance with the manufacturer's instructions and local safety regulations
4. Clean the inside of the appliance before using it.

Special Instructions

If this appliance is to replace an old refrigerator with a lock, break or remove the lock as safety measure before storing it, to protect children while playing might lock them inside.

Old refrigerators and freezers contain insulation gases and refrigerant, which must be disposed of properly. Please ensure that the refrigeration tubing is not damaged.



Warning: This refrigerator contains isobutane (R600a); this refrigerant gas is CFC-free but combustible. When transporting, installing, cleaning and repairing the refrigerator, take care not to damage any parts of the refrigeration circuit to prevent the risk of gas leaks. In case of damage, do not use naked lights and ventilate the room containing the appliance appropriately.

Safety Precautions

The manufacturer declines all responsibility in case of failure to comply with the following precautions:

- Never put a damaged appliance into operation, if in doubt, contact your dealer.

- The appliance must be installed and connected to the electrical mains in full compliance with the instructions provided in the handbook. The electrical connection conditions must be as specified on the nameplate. The appliance's electrical safety is only guaranteed if the household electrical system is earthed in accordance with the relevant regulations.
- Make sure that all repairs and servicing are only carried out by a qualified technician. Always disconnect the appliance from the electrical mains in case of breakdown and maintenance, when changing light-bulbs or during cleaning. Never defrost using electrical devices or steam cleaners. Never remove frost or ice with sharp items, as this may cause irreparable damage to the walls of the refrigerator.
- Never attempt to move the refrigerator by pulling on the door or the handle.
- High-alcohol drinks must only be stored sealed and vertical. Never store liquids in cans or glass containers in the freezer compartment, especially if they contain added carbon dioxide. Never store products containing gases, flammable propellants or explosive substances in the freezer. There is always explosion hazard!
- The use of electrical appliances (such as ice-cream makers or whisks) inside the appliance is forbidden.
- To ensure the refrigerator operates correctly, never obstruct or cover the air ducts in any way.
- Never touch frozen products taken straight from the freezer or put them in your mouth. There is burn hazard due to the very low temperatures.
- Never eat or drink foods which look or smell strange.
- **This appliance can be used by children aged from 8 years and above and persons with reduced physical, sensory or mental capabilities or lack of experience and knowledge if they have been given supervision or instruction concerning use of the appliance in a safe way and understand the hazards involved. Children shall not play with the appliance. Cleaning and user maintenance shall not be made by children unless they are older 8 years and supervised.**
- Children must be supervised to ensure that they do not play with the appliance.
- In case of electricity blackout, open the door(s) as little as possible. Once partly or completely thawed, frozen foods must not be re-frozen.

Intended use

This appliance is a compressor refrigerator, designed for the short-term storage of food in the main cabinet and long-term storage of food in the freezer compartment.

This appliance is intended for domestic or similar applications, such as in:

- shops, offices and other similar working environments,
- agricultural areas,
- hotels, motels etc. and similar establishments,
- bed and breakfast type environments.

This appliance is not intended for commercial use, nor for use in the catering business or similar wholesale environments.



Warning: The manufacturer declines all responsibility for injury or damage caused by failure to comply with the above regulations or deriving from tampering with even just one part of the appliance and the use of non-original spare parts.

Installation and connection

Choosing the site

- Always place the refrigerator in a dry place with satisfactory ventilation. Never expose it to direct sunlight or install it outdoors. Depending on its climate class (stated on the nameplate inside the refrigerator compartment), the appliance can be used in different temperature conditions:

Class	Ambient temperature
SN (Subnormal)	from +10°C to +32°C
N (Normal)	from + 16° C to + 32° C
ST (Subtropical)	from + 16° C to + 38° C
T (Tropical)	from + 16° C to + 43° C

- Never place the refrigerator close to heat sources. If this is unavoidable, a suitable insulating panel must be used to allow the appliance to function properly. Otherwise, place the appliance at least 3 cm from electric or gas cookers and at least 30 cm from combustion or radiation heating systems.
- To allow proper cooling of the condenser, the refrigerator must not be placed too close to the wall. If the refrigerator is installed underneath a wall cupboard, the distance between the two must be at least 5 cm.
- Take care not to scratch or damage the floor when installing the appliance on parquet or linoleum. If necessary, when positioning slide the refrigerator over pieces of wood or a mat to the point decided for connection to the electrical mains.

Positioning and levelling the appliance

Place the refrigerator on a stable and level floor. In case the floor is not perfectly level, use the two adjustable feet on the front part of the fridge. To ensure major stability, easier movement and a correct positioning of the product, two additional wheels are present at the rear. In any case we recommend moving the fridge very carefully in order to avoid floor damage (especially in case of wooden floor).

Electrical connection

Before switching the refrigerator on for the first time, leave it vertical for at least two hours. Then connect the appliance's power supply lead to a mains socket with earth contact, installed in accordance with electrical safety regulations. The rated voltage and frequency are stated on the nameplate. The appliance must be connected to the electrical mains and earthed in compliance with the relevant regulations and requirements. The appliance is able to withstand short fluctuations in voltage of no more than 15% less or 10% more than the rated voltage

stated on the nameplate. If the power supply lead has to be replaced, this operation must only be carried out by a qualified technician. The socket must be accessible after the appliance has been placed.

Product Description

1. Freezer Compartment	2. Thermostat Knob
3. Glass shelf	4. Half-width shelf
5. Crisper (Vegetable box)	6. Rack shelves

There is a freezer compartment in the upper section of the unit that can be closed by a door. The main storage area is under the freezer compartment.

Before using for the first time

- Remove any exterior and interior packaging materials completely, including the adhesive strips.
- Before it is connected to the mains, the unit must be thoroughly checked for transport damage, including its power cord.
- Clean the unit as described in the section Maintenance and Cleaning.
- To ensure proper functioning, wait for around 2 hours before connecting the unit and switching it on once it has been positioned.
- When the unit is first switched on, a slight smell may be noticed. However, this will disappear once the cooling process has begun.

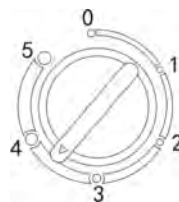
Arranging foods inside the refrigerator compartment

- Arrange the foods on the various shelves, taking care that they have an airtight wrapping or cover. This precaution will:
 - conserve foods' fragrance, moisture and freshness;
 - prevent the cross-contamination of foods with different aromas and tastes;
 - prevent the humidity level inside the refrigerator becoming too high because of the normal breathing of food (especially fresh fruit and vegetables). In some operating conditions (rise in ambient temperature and humidity, more frequent opening of the door) this might cause condensation to form on the shelves.
- Use only containers approved for food storage. Always allow hot foods and drinks to cool to room temperature before placing them inside the refrigerator.
- Never store explosive substances in the appliance and only store high-alcohol drinks firmly sealed and vertical.

Setting the operating temperature

Your unit has only one control for regulating the temperature in the compartment. The temperature control is located on the upper right-hand side of the compartment. The first time you turn the unit on, set the temperature control to "5".

The range of the temperature control is from position "0" to "5". After 24 to 48 hours, adjust the temperature control to the setting that best suits your needs. The setting of "3" should be appropriate for home or office use.



To turn the appliance off, turn the temperature control to "0".

NOTES: Turning the temperature control to "0" position stops the cooling cycle but does not shut off the power to the unit. If the unit is unplugged, has lost power, or is turned off, you must wait 3 to 5 minutes before restarting the unit. If you attempt to restart before this time delay, the unit will not start.

If the refrigerator is not used for a long period of time, proceed as follows:

- Disconnect the refrigerator from the main supply by removing the plug from the wall socket.
- Clean and dry the inside as instructed under the heading of "Maintenance and Cleaning".
- Leave the door open to prevent any unpleasant smells from building up while the refrigerator is not in use.



Important: Changes in weather conditions (temperature and humidity) and the frequency with which the doors of the two separate compartments are opened may affect the refrigerator's operating temperatures.

Maintenance and Cleaning

Defrosting

1. When the refrigerator working for a period of time, the inner surface of the refrigerator will be covered with a layer of white frost. It may raise the electricity consumption and lessen the effect of refrigeration. Then you should remove the frost at once.
2. When defrosting, turn the knob to "0" position cut off the power, open the door and move frozen/cooling foods to a shady and cooling place, defrost with a plastic scraper, or let the temperature rise naturally till frost melts. Then wipe away remaining ice and water, and switch on electricity again.

Notes: Never use sharp metal tools or it will damage the refrigerator.



Warning: the amount of ice which forms on the back wall may vary with changes in weather conditions (temperature and humidity), the frequency with which the door is opened, the appliance's operating temperatures and the amount of fresh foods stored inside (especially fruit and vegetables).

Cleaning the refrigerator

Clean the device regularly. To do this, please take into account the following guidelines.

- Do not clean the appliance while it is plugged into an outlet.
- Do not use abrasive products to clean the device, it may damage it.
- Use a mild detergent to clean the refrigerator compartments and shelves. Be sure to completely dry all surfaces after cleaning.
- Empty the appliance and clean the inside with a damp cloth.
- The accumulation of dust on the back of the device can prevent it from working optimally and increase its energy consumption. Once a year, carefully remove the dust from the back of the device with a soft brush.

Replacing the refrigerator light bulb

Before changing the bulb, make sure that the light has not stopped working simply because the part inside the lamp socket has become loose. In all cases, whether you wish to check that the socket is connected correctly or change the bulb, for safety reasons the plug must be removed from the power socket.

1. First, unplug the power cord; remove the control panel.
2. Remove the old bulb by unscrewing it by hand in a counter clockwise direction.
3. Insert a new bulb (10W) by turning it manually clockwise, refit the cover and switch the appliance back on.

Important Rules

- Never place hot food in the refrigerator.
- Drinks should be stored in closed containers.
- Food to be stored longer in the refrigerator should be covered or stored in glass containers.
- Never put spoiled food in the refrigerator.
- Make sure that the refrigerator is never overloaded so that the food can be sufficiently refreshed.
- Open the refrigerator door only when necessary.
- It is not intended for outdoor use (e.g., tent) while camping.
- It can only be used indoors.

Troubleshooting Guide

In case of malfunction, you can solve many common problems easily.

Your Refrigerator will not operate, check if:

- The power supply cord is unplugged.
- The thermostat knob is set to OFF position.

The light doesn't work, check if:

- The power supply cord is unplugged.
- A household fuse or circuit breaker has tripped.
- A light bulb is loose in the socket.
- A light bulb has burned out.

Food in the refrigerator compartment freezing, check if:

- The thermostat knob is set too cold
- The position of food stored touches the refrigerator back wall.

Food in the refrigerator compartment is not cold, check if:

- The door is opened too often or not closed properly.
- A large amount of food has just been added to the refrigerator or refrigerator compartment.
- The position of the thermostat knob is adjusted too low.

Melted frost leak inside compartment or on floor, check if:

- The drain pipe is blocked.
- Water tray is in the correct place.

The refrigerator seems to make unusual noise, check if:

- The refrigerator is levelled on the floor.
- The cabinet of the refrigerator touches the wall.
- The water tray is in the correct place.

There is interior moisture build –up, check if:

- The air vents are blocked in the refrigerator.
- The door is opened too often.
- The room is humid.
- The food is not packaged correctly.
- The control is not set correctly according to the surrounding conditions.

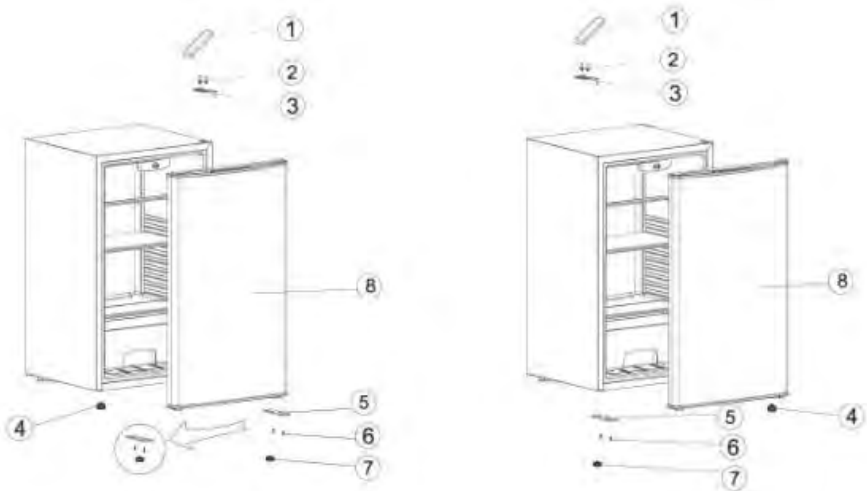
The doors will not close completely, check if:

- The shelves are out of position.
- The gaskets are dirty.
- The fridge is not level.

Door Reverse

This refrigerator has been built with the door hinges on the right or on the left dependent of the model. If you want to change the opening direction, please follow the instruction below.

WARNING: When reversing the door, the appliance must not be connected to the mains. Remove the plug from the mains beforehand.



1. Remove the protective cap (1) from the hinge.
2. Remove the screws (2) from the upper hinge. Remove the hinge (3).
3. Remove the door protective small cap at the top, and place it in the hole at the opposite side. Remove the door (8) and place it on a surface that will not scratch it.
4. Lie down the unit on the floor for support and remove the adjustable feet (4 & 7).
5. Unscrew the screws (6) of the bottom hinge (5) and fix it on the opposite side of the appliance. Replace the adjustable feet (4 & 7).
6. Reposition the unit on its original position and hang the door on the appliance.
7. Finally, screw the upper hinge back in place. Make sure the rubber gasket seals tightly. Position the door so that it lines up above the appliance. Tighten all screws and place the protective cap (1).

Technical data

Reference	NVR-5500SDC
Supply Voltage / Protection class	220-240 V~ 50Hz / I
Rated current	0.7A
Maximum lamp power (*)	10W
Refrigerant/Amount	R600a / 21g
Insulation blowing gas	Cyclopentane (C ₅ H ₁₀)
Energy Class (1)	F
Energy consumption of E16 (2)	0.150kWh/24h
Energy consumption of E32 (2)	0.436kWh/24h
Annual Energy consumption (2)	107kWh/annum
Total storage capacity	91L
Defrost type	Manual
Climate Class (Ambient range)	N/ST (+16°C a +38°C)
Noise [dB (A) re 1pW]	41 dB(A)
Net weight / Gross weight	19kg/21kg
Dimensions (W x D x H)	480mm x 450mm x 831mm
(1) Energy class: A.....G (A= more economical...G=less economical)	
(2) The real energy consumption depends on conditions and appliance location.	

(*) **This product contains a light source of energy efficiency class G.**

Declaration of Conformity

This appliance is intended for storing food and is manufactured in conformity with European Directives and European regulation (EC) 1935/2004.

This product has been designed, manufactured and marked in compliance with:



- the safety objectives of Low voltage Directive 2014/35/EU;
- the protection requirements of EMC Directive 2014/30/EU;
- Plastic materials and articles intended to come into contact with food – Commission Regulation (EU) 10/2011;
- Commission Delegated Regulation (EU) 2019/2016 & Commission Regulation (EU) 2019/2019.

The electrical safety of the appliance is guaranteed only if it is connected to an efficient and approved earthing system.

Disposal – Environment policy

Packing



The packaging material is entirely recyclable and marked with the recycling symbol. Follow local regulations for scrapping. Keep the packaging materials (plastic bags, polystyrene parts, etc.) out of reach of children, as they are potentially dangerous.

Disposal

The appliance is manufactured using recyclable material.

This appliance is marked according to the European directive 2012/19/UE on Waste Electrical and Electronic Equipment (WEEE).

By ensuring this product is disposed of correctly, you will help prevent potential negative consequences for the environment and human health, which could otherwise be caused by inappropriate waste handling of this product.



This symbol on the product, or on the documents accompanying the product, indicates that this appliance may not be treated as household waste. Instead, it shall be handed over to the applicable collection point for the recycling of electrical and electronic equipment.

Before disposal, make the appliance unusable by cutting off the power cable and removing the doors and shelves so that children cannot easily climb inside the appliance.

Disposal must be carried out in accordance with local environmental regulations for waste disposal. Deliver the appliance immediately to an authorized dump; do not leave it unattended even for a few days, since it is potentially dangerous for children.

For more detailed information about treatment, recovery and recycling of this product, please contact your local city office, your household waste disposal service or the shop where you purchased the product.

Warranty Declaration

Warranty Terms and Conditions

1. The product is guaranteed for the period stipulated by the legislation where it is placed on the market, starting from the date of purchase, against manufacturing defects and/or workmanship. The lack of conformity manifested in this period is presumed to exist at the date of purchase. After this period, it is for the customer to prove that the lack of conformity already existed at the time of delivery.
2. If, during the warranty period, the product is defective in normal use, the buyer should contact the selling establishment and send the appliance to the place indicated by the seller.
3. The warranty is only valid upon presentation of the invoice proving the purchase and the completed warranty certificate (indicating the date of purchase, the name of the dealer, the reference of the model, and it is also recommended to indicate the serial number and lot number).

4. The importer/seller reserves the right to refuse warranty assistance in the event that such information has been deleted or altered after the original purchase of the product.
5. The responsibility of the importer/seller includes in particular the costs of repairing and/or replacing the unit covered by the warranty with the reservation of the right to replace it with an equivalent product, in cases where it is not possible to repair it.
6. The warranty does not apply to problems that are not directly related to defects in material, design or workmanship.
7. This product is an appliance and is intended for home use only. The warranty will be void if the product is used for professional purposes.
8. The warranty does not cover damage caused by misuse, improper installation, spillage, external factors, or intentional damage.
9. The warranty does not cover damage resulting from falls, use of excessive force, blows, exposure to extreme environmental conditions or deterioration caused by the normal use of plastic parts or keyboards, as well as the use of batteries other than those specified in this manual.
10. The warranty does not cover installation and programming by the dealer. In particular, no claim for installation and free programming by the reseller may be accepted.
11. The warranty does not cover deficiencies that insignificantly impair the operation of the appliance. Other costs, such as installation, transportation and travel of the technician are expressly excluded from the warranty.
12. The applicability of the warranty presupposes that the appliance is sent to the seller or place indicated by him, complete and in well-protected packaging (if possible, in its original packaging) and accompanied by its sheet or warranty card duly filled out and proof of purchase.
13. If after verification, it is found that there are no reasons for the claim, or that the product is not defective, the inherent costs will be imputed to the customer, and the dealer is authorized to charge those costs to the customer.
14. The warranty will be void when it shows signs that an unauthorized person has attempted to carry out repairs, modifications or replacement of parts on the appliance.
15. Repairs carried out after the end of the warranty period are subject to costs.
16. This warranty does not affect your legal rights that you may have as a consumer under applicable national law governing the purchase of products where the product is sold.
17. **Warranty Period:**

European Union countries - European Directives (EU) 2019/771 and (EU) 2019/770 apply on certain aspects of contracts for the purchase and sale of movable property and transposed into the national laws of their countries.

Other countries - national legislation on consumer rights in their country applies. In the case of no official legislation, the guarantee shall be applied at the discretion of the importer placing the product on the market or the seller establishment.

ADVERTENCIA

Este aparato está diseñado para usarse en aplicaciones domésticas y similares, como áreas de cocina del personal en tiendas, oficinas y otros entornos de trabajo; Casas rurales y por huéspedes en hoteles, moteles y otros entornos residenciales; ambientes tipo cama y desayuno; Catering y aplicaciones similares no minoristas.

Si el cable de alimentación está dañado, debe ser reemplazado por el fabricante, su agente de servicio o personas con calificaciones similares para evitar un peligro.

No almacene sustancias explosivas como latas de aerosol con un propelente inflamable en este aparato. El dispositivo debe desenchufarse después de su uso y antes de llevar a cabo el mantenimiento por parte del usuario.

Advertencia: Mantenga sin obstrucciones las aberturas de ventilación del armario del frigorífico o de la estructura incorporada.

Advertencia: No utilice dispositivos mecánicos u otros medios para acelerar el proceso de descongelación, que no sean los recomendados por el fabricante.

Advertencia: No dañar el circuito de refrigeración.

Advertencia: No utilice aparatos eléctricos dentro de los compartimentos de almacenamiento de alimentos del aparato, a menos que sean del tipo recomendado por el fabricante

Advertencia: deseche el refrigerador de acuerdo con las regulaciones locales, ya que utiliza gas inflamable en el refrigerador.

Advertencia: Al colocar el aparato, asegúrese de que el cable de alimentación no esté atrapado o dañado.

Advertencia: No ubique tomas de corriente portátiles o fuentes de alimentación portátiles en la parte posterior del dispositivo.

No use un cable de extensión o adaptadores sin conexión a tierra (dos clavijas).

Peligro: Riesgo de atrapamiento infantil. Antes de deshacerse de su viejo refrigerador o congelador:

- Quítate las puertas.
- Deje los estantes en su lugar para que los niños no puedan entrar fácilmente.

El refrigerador debe desconectarse de la fuente de alimentación eléctrica antes de intentar la instalación del accesorio.





El refrigerante y el material de espuma de ciclopentano que se usa para el refrigerador son inflamables. Por lo tanto, cuando se deseche el refrigerador, debe mantenerse alejado de cualquier fuente de incendio y ser recuperado por una

compañía de recuperación especial con la correspondiente calificación que no sea eliminada por combustión, para evitar daños al medio ambiente o cualquier otro daño.

Este dispositivo puede ser utilizado por niños a partir de 8 años y personas con discapacidades físicas, sensoriales o mentales o por falta de experiencia y conocimientos, siempre que estén supervisados o hayan recibido instrucciones sobre el uso seguro de este dispositivo y sobre los peligros resultantes. La limpieza y el mantenimiento del usuario no deben ser realizados por niños sin supervisión. Los niños de 3 a 8 años pueden cargar y descargar alimentos del aparato.

Los niños deben ser supervisados para asegurarse de que no jueguen con el aparato. Los niños menores de 3 años deben mantenerse alejados del aparato a menos que estén bajo la supervisión continua de un adulto.

Para evitar la contaminación de los alimentos, respete las siguientes instrucciones:

- Abrir la puerta durante períodos prolongados puede provocar un aumento significativo de la temperatura en los compartimentos del aparato.
- Limpie regularmente las superficies que puedan entrar en contacto con alimentos y sistemas de drenaje accesibles.
- Almacene la carne y el pescado crudos en recipientes adecuados en el refrigerador, de modo que no entren en contacto ni goteen sobre otros alimentos.
- Los compartimentos para alimentos congelados de dos estrellas  son adecuados para almacenar alimentos pre-congelados, almacenar o hacer helados y hacer cubitos de hielo.
- Los compartimentos de una , dos  y tres  estrellas no son adecuados para la congelación de alimentos frescos.
- Si el aparato de refrigeración se deja vacío por períodos prolongados, apague, descongele, limpie, seque y deje la puerta abierta para evitar que se forme moho dentro del aparato.



Advertencia: Riesgo de incendio / materiales inflamables

Estimado cliente

Gracias por elegir un producto NEVIR.

Los productos NEVIR están diseñados para el bienestar de los consumidores, haciendo hincapié en los más altos estándares de calidad, funcionalidad y diseño. Estamos seguros de su satisfacción con la compra de este producto.

El aparato que ha comprado es para uso exclusivamente doméstico.

Para utilizar este aparato de la mejor manera, lea atentamente las instrucciones de uso, que incluyen una descripción del equipo y algunos consejos útiles para conservar los alimentos.

Guarde este manual para futuras referencias y entrégalo a quien podría adquirir el aparato en una fecha futura.

Antes de utilizar el aparato

1. Tras desembalar el aparato, compruebe que no está dañado y que las puertas cierran correctamente. Los posibles daños deben comunicarse al vendedor en el plazo de 24 h. después de la entrega del aparato.
2. Una vez instalado el aparato, espere como mínimo dos horas antes de ponerlo en marcha para que el circuito refrigerante funcione correctamente.
3. Asegúrese de que la instalación y la conexión eléctrica sean efectuadas por un técnico cualificado según las instrucciones del fabricante y las normas de seguridad locales.
4. Limpie el interior del aparato antes de usarlo.

Instrucciones especiales

Se este aparato reemplaza otro más antiguo con cerrojo, romper o retirar el cerrojo como medida de seguridad antes de almacenarlo, para evitar que los niños, jugando, se encierren dentro accidentalmente.

Los refrigeradores y congeladores antiguos contienen gases de aislamiento y refrigeración, los cuales han de ser eliminados apropiadamente. Asegúrese de que los tubos de refrigeración no resulten dañados.



Atención: Este frigorífico contiene isobutano (R600a), gas refrigerante sin CFC pero combustible. Durante el transporte, instalación, limpieza y reparación del frigorífico se debe prestar atención a fin de no dañar partes del circuito de refrigeración, lo que provocaría pérdidas de gas. En caso de daño evitar el uso de llamas libres y ventilar adecuadamente el local en que se encuentra el frigorífico.

Advertencias sobre seguridad

El fabricante declinará toda responsabilidad en caso de inobservancia de las siguientes instrucciones:

- No ponga en funcionamiento un aparato que presente daños: En caso de dudas consulte a su revendedor.
- La conexión a la red eléctrica y la instalación del aparato deben efectuarse respetando atentamente las instrucciones del manual. Las características de la red eléctrica deben coincidir con los datos indicados en la placa de identificación. La seguridad eléctrica del aparato quedará garantizada únicamente si el sistema de tierra de la instalación eléctrica doméstica reúne los requisitos establecidos por las respectivas normas.
- Certifíquese que las reparaciones e intervenciones de mantenimiento sean ejecutadas únicamente por técnicos cualificados. Desenchufa siempre el aparato de la red eléctrica en caso de avería, sustitución de la bombilla y ejecución de mantenimiento o limpieza. Para efectuar la descongelación no deberán utilizarse nunca aparatos eléctricos ni lavadores de vapor. No eliminar la escarcha o hielo con objetos cortantes, ya que pueden provocar daño irremediable en las paredes del frigorífico.
- No trate de desplazar el frigorífico tirando su puerta o manilla.
- Las bebidas alcohólicas de alta graduación deben conservarse herméticamente cerradas y sólo en posición vertical. No conservar en el compartimiento del congelador, líquidos en latas o envases de vidrios, especialmente si se trata de bebidas gaseosas. No conservar en el congelador productos que contengan gases, productos inflamables o sustancias explosivas. ¡Existe siempre el peligro de explosión!
- Está prohibido utilizar otros aparatos eléctricos (por ejemplo, heladoras o licuadoras) en el interior del frigorífico.
- Nunca debe taparse ni cubrir de ninguna manera los conductos de circulación de aire para el correcto funcionamiento del frigorífico.
- No tocar ni meter en la boca productos congelados directamente retirados del refrigerador. Existe el peligro de sufrir quemaduras debido a las temperaturas muy bajas.
- No consumir alimentos que presenten aspecto u olor anómalo.
- **Este aparato puede ser usado por niños de 8 o más años y personas con capacidades físicas, sensoriales o mentales reducidas, o falta de experiencia y conocimientos, si reciben supervisión o instrucciones sobre el uso del aparato de forma segura y comprenden los riesgos implicados. Los niños no deben jugar con el aparato. La limpieza y el mantenimiento del usuario no deben ser realizados por niños menores de 8 años, y en este caso con supervisión.**
- En caso de interrupción del suministro eléctrico abrir lo menos posible la puerta. Los alimentos congelados que se han descongelado de modo parcial o total no deben ser congelados nuevamente.

Uso adecuado

Este aparato es un frigorífico compresor, diseñado para conservar alimentos a corto plazo en el compartimento principal o a largo plazo en el congelador.

Este aparato ha sido diseñado para el uso doméstico u otra aplicación similar, por ejemplo, en:

- oficinas y otros puntos comerciales,

- zonas agrícolas,
- hoteles, pensiones, etc. y establecimientos similares,
- casas rurales.

Este aparato no se debe utilizar para el uso comercial, no se debe utilizar en restauración ni otro servicio mayorista.



Atención: El fabricante declina toda responsabilidad en cuanto a daños que puedan sufrir personas o cosas como consecuencia de la inobservancia de las normas antedichas o de la alteración incluso solo de una parte del aparato o del uso de recambios no originales.

Instalación y conexión

La elección del lugar

- Se debe emplazar siempre el frigorífico en un ambiente seco y con adecuado recambio de aire. No instalarlo al aire libre ni exponerlo directamente a los rayos solares. En función de la respectiva clase climática (indicada en la placa de características situada en el interior de la cámara frigorífica), el aparato puede utilizarse en diferentes condiciones de temperatura tal como a continuación se indica:

Clase	Temperatura ambiente
SN (Subnormal)	entre + 10 °C y + 32 °C
N (Normal)	entre + 16 °C y + 32 °C
ST (Subtropical)	entre + 16 °C y + 38 °C
T (Tropical)	entre + 16 °C y + 43 °C

- No situar el frigorífico en proximidad de fuentes de calor. En caso de que ello sea inevitable, a fin de garantizar el correcto funcionamiento del aparato se deberá utilizar un adecuado panel aislante. Normalmente se deberá instalar el aparato por lo menos a 3 cm de distancia respecto de cocinas eléctricas o de gas y a por lo menos 30 cm respecto de sistemas de calefacción de combustión o radiadores.
- Para garantizar un adecuado enfriamiento del condensador, el frigorífico no debe ser situado muy cerca del muro. En caso de que el frigorífico sea instalado bajo una repisa pensil, la distancia mínima respecto de ésta deberá ser de al menos 5 cm.
- Se deberá prestar particular atención al instalar el aparato sobre parquet o linóleo a fin de no provocar rayas ni daños en el pavimento mismo. Sí es necesario, durante el posicionamiento conviene hacer deslizar el frigorífico sobre pequeñas piezas de madera o sobre un tapete hasta situarlo en la posición prevista para efectuar el enlace a la red eléctrica.

Posicionamiento y nivelación del aparato

Posicionar el frigorífico sobre un suelo estable y nivelado. Para compensar las irregularidades del pavimento, el frigorífico tiene dos pies regulables en la parte anterior. Para consentir mayor estabilidad, un movimiento más fácil y un posicionamiento correcto, hay además dos rodillos en la parte trasera. Sin embargo, aconsejamos mucha atención durante el desplazamiento, para no dañar el pavimento (especialmente en el caso de entarimado).

Conexión eléctrica

Antes de activar el frigorífico por la primera vez es necesario dejarlo al menos durante dos horas en posición vertical. A continuación, conectar el cable de alimentación del aparato a una toma de corriente con contacto de tierra instalado en conformidad con lo establecido por las normas sobre seguridad eléctrica. La tensión nominal y la frecuencia son indicadas en la etiqueta de características. La conexión a la red eléctrica y el contacto de tierra deben efectuarse de conformidad con lo establecido por las normas vigentes. El aparato puede soportar breves oscilaciones de tensión no inferiores en la medida del 15% ni superiores en la medida del 10% respecto del valor de tensión nominal indicado en la placa. La sustitución del cable de alimentación es una operación que debe efectuar sólo un técnico cualificado.

El enchufe debe ser accesible con el equipo instalado.

Descripción del aparato

1. Compartimiento congelador "Opcional"	2. Perilla de temperatura
3. Estante de vidrio	4. Estante de medio ancho
5. Cajón de frutas y verduras	6. Recipientes de la puerta

En la parte superior del aparato hay un compartimento congelador que se puede cerrar mediante la puerta correspondiente. La zona principal de conservación de alimentos está situada bajo el compartimento congelador. La tapa del congelador dependerá de cada modelo.

Puesta en marcha

- Retire por completo cualquier material de embalaje, incluidas las cintas adhesivas.
- Antes de conectar a la red eléctrica, el aparato debe ser examinado detenidamente por si hubiera resultado dañado durante el transporte, incluido el cable eléctrico.
- Limpie el aparato siguiendo las instrucciones de la sección Mantenimiento y limpieza incluida a continuación.
- Para asegurar que el aparato funciona correctamente, espere aproximadamente 2 horas antes de conectar el aparato y encenderlo después de haber sido colocado en su lugar.
- Al encender el aparato por primera vez, se percibirá un ligero olor. Este olor desaparecerá cuando el proceso de enfriamiento haya comenzado.

Colocación de los alimentos en la cámara frigorífica

- Coloque los alimentos en los estantes una vez que han sido empaquetados o cubiertos herméticamente. Ello permite:
 - conservar el aroma, nivel de humedad y frescura de los alimentos;
 - evitar que se verifiquen mezclas de olores y gustos entre los alimentos;
 - evitar una excesiva acumulación de humedad en el interior del compartimento a causa de la normal transpiración de los alimentos (en particular de fruta y verdura fresca), que en determinadas condiciones de funcionamiento (aumento de la temperatura y humedad del ambiente, aumento de la frecuencia de apertura puerta), podría provocar formación de condensación en los estantes.

- Utilizar sólo recipientes adecuados para la conservación de alimentos. Antes de introducir alimentos y bebidas calientes, éstos deben hacerse enfriar siempre hasta temperatura ambiente.
- No conserve dentro del aparato sustancias explosivas y conserve bebidas alcohólicas de alta graduación sólo, completamente cerradas y en posición vertical.

Regulación de la temperatura de enfriamiento

La unidad solo tiene un mando para regular la temperatura del compartimento. El mando de temperatura está situado en el lado superior derecho del compartimento. La primera vez que encienda la unidad, sitúe el mando de temperatura en la posición "5".

El intervalo del mando de temperatura abarca varias posiciones desde "0" hasta "5". Después de un plazo de 24 a 48 horas, ajuste el mando de temperatura en la posición que más se adecue a sus necesidades. El ajuste "3" es adecuado para el uso en domicilios u oficinas.

Para apagar el aparato, gire el mando de temperatura hasta la posición "0".

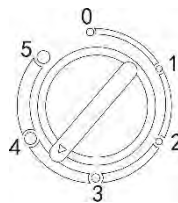
NOTAS: el ciclo de enfriamiento se detiene al girar el mando de temperatura hasta la posición "0", pero no se desconecta la alimentación de la unidad. Si se desenchufa, se corta la corriente o se apaga el aparato, hay que esperar de 3 a 5 minutos antes de ponerlo de nuevo en marcha. Si intenta ponerlo en marcha antes, no funcionará.

Si el frigorífico no se utiliza durante un largo periodo de tiempo, proceda como sigue:

- Extraiga el conector de la toma de corriente de la pared para desconectar el frigorífico.
- Limpie y seque el interior como se indica en la sección Antes de utilizar el frigorífico.
- Deje la puerta abierta para evitar que se forme cualquier olor desagradable mientras no se utiliza el frigorífico.



Importante: El cambio de las condiciones climáticas (temperatura y humedad) y la frecuencia de apertura puerta de ambos compartimentos pueden influir en las temperaturas de funcionamiento del frigorífico.



Mantenimiento y Limpieza

Descongelar

1. Cuando el frigorífico funciona durante un determinado período de tiempo, la superficie interna del frigorífico quedará recubierta por una capa de hielo blanco. Esto podría aumentar el nivel de consumo de electricidad y consecuentemente disminuir el efecto de refrigeración. Por lo tanto, se deberá quitar todo el hielo formado dentro del aparato.
2. Al descongelar, gire la perilla a la posición "0", corte la energía, abra la puerta y mueva los alimentos a un lugar sombreado y fresco, descongele con un raspador de plástico o deje que la temperatura suba naturalmente hasta que la escarcha se derrita. Luego limpie el hielo y el agua restantes y vuelva a conectar lo frigorífico.

Nota: No utilice herramientas de metal afiladas ya que podría dañar lo frigorífico.



Atención: La formación de hielo en la pared trasera puede variar en función del cambio de las condiciones climáticas (temperatura y humedad), de la frecuencia de apertura de la puerta, de las temperaturas de funcionamiento del aparato y de la cantidad de alimentos frescos introducidos (en particular fruta y verdura).

Limpeza del frigorífico

Limpe el dispositivo regularmente. Para hacer esto, tenga en cuenta las siguientes pautas.

- No limpie el aparato mientras esté enchufado a una toma de corriente.
- No utilice productos abrasivos para limpiar el dispositivo, puede dañarlo.
- Use un detergente suave para limpiar los compartimientos y estantes del refrigerador. Asegúrese de secar completamente todas las superficies después de la limpieza.
- Vacíe el aparato y limpie el interior con un paño húmedo.
- La acumulación de polvo en la parte posterior del dispositivo puede evitar que funcione de manera óptima y aumentar su consumo de energía. Una vez al año, retire con cuidado el polvo de la parte posterior del dispositivo con un cepillo suave.

Reemplazamiento de la bombilla del frigorífico

Antes de sustituir la bombilla certifíquese que su falta de encendido no se deba a simple aflojamiento de esta en la porta bombilla. En todo caso, antes de verificar la correcta fijación de la bombilla y de su eventual sustitución, por razones de seguridad se deberá siempre desconectar el enchufe respecto de la toma de corriente.

1. En primer lugar, desconecte el cable de alimentación y retire el panel de control.
2. Retire la bombilla antigua desatornillándola a mano en sentido antihorario.
3. Inserte una nueva bombilla (10W) girándola manualmente en sentido horario, vuelva a colocar la cubierta de la lámpara.

Reglas Importantes

- Nunca ponga comida caliente en el refrigerador.
- Las bebidas deben almacenarse en contenedores cerrados.
- Los alimentos que se almacenarán por más tiempo en el refrigerador deben cubrirse o almacenarse en recipientes de vidrio.
- Nunca ponga comida en mal estado en el refrigerador.
- Asegúrese de que el refrigerador nunca se sobrecargue para que los alimentos puedan refrescarse lo suficiente.
- Solo abra la puerta del refrigerador cuando sea necesario.
- No está diseñado para uso en exteriores (por ejemplo, carpa) durante el campamento.
- Solo se puede usar en interiores.

Guía para solución de problemas

Muchos de los problemas de funcionamiento habituales se pueden solucionar fácilmente.

Si el frigorífico no funciona, compruebe si ocurre lo siguiente:

- El cable de alimentación está desconectado.
- El mando del termostato se encuentra en la posición O.

Si la luz no funciona, compruebe si ocurre lo siguiente:

- El cable de alimentación está desconectado.
- Ha saltado un fusible del domicilio o se ha producido un cortocircuito.
- La bombilla está suelta en el casquillo.
- La bombilla se ha quemado.

Si los alimentos del compartimento del frigorífico se congelan, compruebe si ocurre lo siguiente:

- El mando del termostato se encuentra situado en una temperatura demasiado fría.
- Los alimentos están en contacto con la pared trasera del frigorífico.

Si los alimentos del compartimento del frigorífico no se enfrían, compruebe si ocurre lo siguiente:

- La puerta se abre con demasiada frecuencia o no se cierra bien.
- Se acaba de introducir una cantidad grande de alimentos en el frigorífico.
- El mando del termostato está ajustado en una temperatura demasiado alta.

Si hay hielo derretido en el interior del compartimento o en el suelo, compruebe si ocurre lo siguiente:

- El tubo de drenaje está bloqueado.
- La bandeja de agua está en la posición correcta.

Si el frigorífico hace un ruido extraño, compruebe si ocurre lo siguiente:

- El frigorífico está nivelado en el suelo.
- El armario del frigorífico toca la pared.
- La bandeja de agua está en la posición correcta.

Si se acumula humedad en el interior, compruebe si ocurre lo siguiente:

- Los orificios de ventilación del frigorífico están bloqueados.
- La puerta se abre con demasiada frecuencia.
- El lugar es húmedo.
- Los alimentos no están bien envasados.
- El mando no se ha ajustado correctamente conforme a las condiciones ambientales.

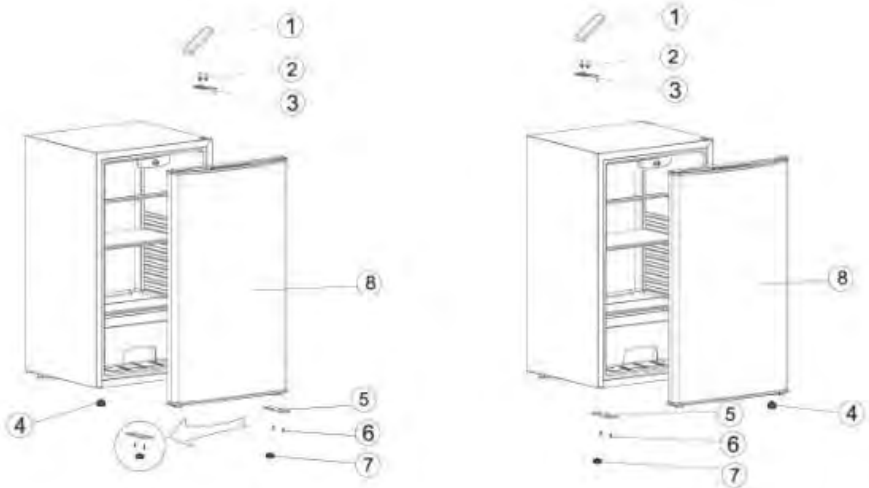
Si las puertas no se cierran por completo, compruebe si ocurre lo siguiente:

- Los estantes no están en su sitio.
- Las juntas están sucias.
- El frigorífico no está nivelado.

Inversión de la puerta

Este refrigerador ha sido construido con las bisagras de la puerta a la derecha o a la izquierda dependiendo del modelo. Si desea cambiar el sentido de apertura, por favor, siga las siguientes instrucciones.

ADVERTENCIA: Al invertir la puerta, el aparato no debe estar conectado a la red eléctrica. Retire el enchufe de la red de antemano.



1. Retire la tapa protectora (1) de la bisagra.
2. Retire los tornillos (2) de la bisagra superior. Retire la bisagra (3).
3. Retire la pequeña tapa protectora de la puerta en la parte superior y colóquela en el orificio del lado opuesto. Retire la puerta (8) y colóquela sobre una superficie que no la raye.
4. Acueste la unidad en el piso para apoyarla y retire los pies ajustables (4 y 7).
5. Desatornille los tornillos (6) de la bisagra inferior (5) y fíjelo en el lado opuesto del aparato. Reemplace los pies ajustables (4 y 7).
6. Vuelva a colocar la unidad en su posición original y cuelgue la puerta del aparato.
7. Finalmente, atornille la bisagra superior en su lugar. Asegúrese de que la junta de goma selle herméticamente. Coloque la puerta de manera que quede alineada sobre el aparato. Apriete todos los tornillos y coloque la tapa protectora (1).

Datos Técnicos

Referencia	NVR-5500SDC
Alimentación/ Clase de protección	220-240 V~ 50Hz / I
Corriente nominal	0.7A
Máxima potencia de la lámpara (*)	10W
Gas Refrigerante / Cantidad	R600a / 21g
Gas de aislamiento	Cyclopentane (C ₅ H ₁₀)
Clase de energía (1)	F
Consumo energético E16 (2)	0.150kWh/24h
Consumo energético E32 (2)	0.436kWh/24h
Consumo energético Anual (2)	107Wh/año
Capacidad de almacenamiento total	91L
Tipo de desescarche	Manual
Clase climática	N/ST (+16°C a +38°C)
El ruido [dB (A) re 1pW]	41 dB(A)
Peso neto/Peso bruto	19kg/21kg
Dimensiones (L x P x A)	480mm x 450mm x 831mm
(1) Clase de energía: A.....G (A= económica...G= menos económica)	
(2) El consumo de energía real depende de las condiciones y la ubicación del dispositivo.	

(*) Este producto contiene una fuente luminosa de la clase de eficiencia energética G.

Declaración de Conformidad

Este aparato está diseñado para conservar los alimentos y se fabrica de acuerdo con las Directivas Europeas y reglamento de la Unión Europea (CE) No. 1935/2004.

Este dispositivo fue diseñado, fabricado y distribuido de acuerdo con las siguientes directivas:



- Directiva de Baja Tensión 2014/35/UE – Seguridad;
- Directiva EMC 2014/30/UE – Compatibilidad Electromagnética.
- Reglamento (UE) N°. 10/2011 – materiales plásticos destinados a entrar en contacto con alimentos.
- Reglamento delegado (UE) 2019/2016 y Reglamento (UE) 2019/2019.

La seguridad eléctrica de este artículo está asegurada si está correctamente conectado a una toma de tierra eficaz siguiendo las normas de instalación.

Disposición – La política ambiental

Embalaje



El material de embalaje es 100% reciclable, como lo indica el símbolo correspondiente. Para su eliminación, respete las normas locales. No deje el material de embalaje (bolsas de plástico, trozos de poliestireno, etc.) al alcance de los niños; puede ser peligroso.

Eliminación del viejo frigorífico

El aparato se ha fabricado con material reciclable.

Este aparato lleva el marcado CE en conformidad con la Directiva 2012/19/UE del Parlamento Europeo y del Consejo sobre residuos de aparatos eléctricos y electrónicos (RAEE).

A asegurarse de que este producto se elimine correctamente, ayudará a prevenir posibles consecuencias negativas para el medio ambiente y la salud humana, que de otro modo podrían ser causadas por el manejo inadecuado de los residuos de este producto.



El símbolo en el producto o en los documentos que se incluyen con el producto, indica que no se puede tratar como residuo doméstico. Es necesario entregarlo en un punto de recogida para reciclar aparatos eléctricos y electrónicos.

Para su eliminación, inutilice el aparato. Corte el cable de alimentación y quite las puertas y los estantes para evitar que los niños jueguen con el aparato.

Deséchelo con arreglo a las normas medioambientales locales y entréguelo en un centro de recuperación de gases de refrigeración.

Para obtener información más detallada sobre el tratamiento, recuperación y reciclaje de este producto, póngase en contacto con el ayuntamiento, con el servicio de eliminación de residuos urbanos o la tienda donde adquirió el producto.

Declaración de garantía

Términos y condiciones de la garantía

1. El producto está garantizado por el período estipulado por la legislación donde se comercializa, a partir de la fecha de compra, contra defectos de fabricación y/o mano de obra. La falta de conformidad que se manifieste dentro de este plazo, presume que existe en la fecha de compra. Después de este período, corresponde al cliente demostrar que la falta de conformidad ya existía en el momento de la entrega.
2. Si, durante el período de garantía, el producto es defectuoso en uso normal, el comprador debe ponerse en contacto con el establecimiento vendedor y enviar el electrodoméstico al lugar indicado por el vendedor.
3. La garantía solo es válida previa presentación de la factura que acredite la compra y el certificado de garantía completado (indicando la fecha de compra, el nombre del distribuidor, la referencia del modelo, y también se recomienda indicar el número de serie y el número de lote).

4. El importador / vendedor se reserva el derecho de rechazar la asistencia de garantía en caso de que dicha información haya sido eliminada o alterada después de la compra original del producto.
5. La responsabilidad del importador/vendedor incluirá, entre otras cosas, los costes de reparación y/o sustitución de la unidad cubierta por la garantía con la reserva del derecho a sustituirla por un producto equivalente, cuando no sea posible repararla.
6. La garantía no se aplica a problemas que no estén directamente relacionados con defectos de material, diseño o mano de obra.
7. Este producto es un electrodoméstico y está destinado solo para uso doméstico. La garantía se anula si el producto se utiliza con fines profesionales.
8. La garantía no cubre los daños causados por mal uso, instalación inadecuada, derrames, factores externos o daños intencionales.
9. La garantía no cubre los daños resultantes de caídas, uso de fuerza excesiva, golpes, exposición a condiciones ambientales extremas o deterioro causado por el uso normal de piezas de plástico o teclados, así como el uso de baterías distintas a las especificadas en este manual.
10. La garantía no cubre la instalación y programación por parte del distribuidor. En particular, no se aceptará ninguna reclamación de instalación y programación gratuita por parte del revendedor.
11. La garantía no cubre deficiencias que perjudiquen insignificamente el funcionamiento del aparato. Otros costes, como la instalación, el transporte y el desplazamiento del técnico están expresamente excluidos de la garantía.
12. La aplicabilidad de la garantía presupone que el aparato sea enviado al establecimiento vendedor o al lugar indicado por éste, completo y en un embalaje bien protegido (si es posible en su embalaje original) y acompañado de la respectiva hoja o tarjeta de garantía, debidamente cumplimentado y comprobante de compra.
13. Si después de la verificación, se descubre que no hay razones para la reclamación, o que el producto no es defectuoso, los costos inherentes se imputarán al cliente, y el distribuidor está autorizado a cobrar esos costos al cliente.
14. La garantía quedará anulada cuando presente indicios de que una persona no autorizada ha intentado realizar reparaciones, modificaciones o sustitución de piezas en el aparato.
15. Las reparaciones realizadas una vez finalizado el período de garantía incurrir en costes.
16. Esta garantía no afecta a sus derechos legales que pueda tener como consumidor en virtud de la legislación nacional aplicable que rige la compra de productos donde se vende el producto.

17. Período de garantía:

Países de la Unión Europea - Las Directivas Europeas (UE) 2019/771 y (UE) 2019/770 se aplican a ciertos aspectos de los contratos de compraventa de bienes muebles y se transponen a las legislaciones nacionales de sus países.

Otros países: se aplica la legislación nacional sobre los derechos de los consumidores en su país. En caso de que no exista legislación oficial, la garantía se aplicará a discreción del importador que introduzca el producto en el mercado o del establecimiento vendedor.

ATTENCION

Cet appareil est destiné à être utilisé dans des applications domestiques et similaires telles que les cuisines de personnel dans les magasins, les bureaux et autres environnements de travail ; maisons de ferme et par les clients dans les hôtels, motels et autres environnements résidentiels ; environnements de type chambres d'hôtes ; restauration et applications similaires non commerciales.

Si le cordon d'alimentation est endommagé, il doit être remplacé par le fabricant, son agent de service ou personnes de qualification similaire pour éviter tout risque.

Ne stockez pas de substances explosives telles que des bombes aérosol contenant un propulseur inflammable dans cet appareil. L'appareil doit être débranché après utilisation et avant de procéder à la maintenance de l'appareil par l'utilisateur.

Avertissement : Maintenez les orifices de ventilation, dans le boîtier de l'appareil ou dans la structure intégrée, à l'écart de tout obstacle.

Avertissement : N'utilisez pas d'appareils mécaniques ou d'autres moyens pour accélérer le processus de dégivrage que ceux recommandés par le fabricant.

Avertissement : Ne pas endommager le circuit du réfrigérateur.

Avertissement : N'utilisez pas d'appareils électriques dans les compartiments de stockage des aliments de l'appareil, à moins qu'ils ne soient du type recommandé par le fabricant.

Avertissement : Veuillez mettre le réfrigérateur au rebut conformément aux réglementations locales, car il utilise des gaz inflammables soufflants dans le réfrigérateur.

Avertissement : lors du positionnement de l'appareil, assurez-vous que le cordon d'alimentation n'est pas coincé ni endommagé.

Avertissement : Ne placez pas plusieurs prises de courant portables ou blocs d'alimentation portables à l'arrière de l'appareil.

Ne pas utiliser de rallonge ni d'adaptateur sans mise à la terre (à deux broches).

Danger : Risque de piégeage de l'enfant. Avant de jeter votre vieux réfrigérateur ou congélateur :

- Enlevez les portes.
- Laissez les étagères en place de sorte que les enfants ne puissent pas facilement monter à l'intérieur.

Le réfrigérateur doit être débranché de la source d'alimentation électrique avant de tenter l'installation de l'accessoire.

Le matériau réfrigérant et le cyclopentane moussant utilisés pour le réfrigérateur sont inflammables. Par conséquent, lorsque le réfrigérateur est mis au rebut, il doit

être tenu éloigné de toute source d'incendie et récupéré par une entreprise de récupération spéciale possédant les qualifications correspondantes, autre que l'élimination par combustion, de manière à éviter tout dommage à l'environnement ou tout autre dommage.

Cet appareil peut être utilisé par des enfants âgés de 8 ans et plus et des personnes ayant une déficience physique, sensorielle ou mentale, ou manquant d'expérience et de connaissances, à condition qu'ils soient supervisés ou aient reçu une formation pour utiliser cet appareil en toute sécurité et les risques qui en résultent. Le nettoyage et la maintenance par l'utilisateur ne doivent pas être effectués par des enfants sans surveillance. Les enfants âgés de 3 à 8 ans sont autorisés à charger et à décharger l'appareil.

Les enfants doivent être surveillés pour s'assurer qu'ils ne jouent pas avec l'appareil. Les enfants de moins de 3 ans doivent être tenus à l'écart de l'appareil à moins d'être surveillés en permanence par un adulte.

Pour éviter la contamination des aliments, veuillez respecter les instructions suivantes :

- L'ouverture prolongée de la porte peut entraîner une augmentation significative de la température dans les compartiments de l'appareil.
- Nettoyez régulièrement les surfaces pouvant entrer en contact avec des aliments et des systèmes de drainage accessibles.
- Rangez la viande et le poisson crus dans des récipients appropriés au réfrigérateur, de manière à ce qu'ils ne soient pas en contact avec d'autres aliments ni ne s'égouttent dessus.
- Les compartiments deux étoiles -** - conviennent au stockage d'aliments congelés, au stockage ou à la fabrication de glaces et à la fabrication de glaçons.
- Les compartiments à une *, deux ** et trois étoiles -***- ne conviennent pas à la congélation d'aliments frais.
- Si l'appareil de réfrigération reste vide pendant de longues périodes, éteignez, dégivrez, nettoyez, séchez et laissez la porte ouverte pour éviter le développement de moisissure dans l'appareil.



Avertissement : Risque d'incendie / de matériaux inflammables

Cher Client

Merci d'avoir choisi un produit NEVIR.

Les produits NEVIR sont conçus pour le bien-être du consommateur, en insistant sur les plus hauts standards de qualité, de fonctionnalité et de design. Nous sommes certains de leur satisfaction à l'achat de ce produit.

L'appareil que vous venez d'acheter est un combiné réfrigérateur et congélateur ; il est exclusivement réservé à un usage ménager.

Pour utiliser au mieux votre appareil, nous vous invitons à lire attentivement les instructions relatives à son utilisation, dans lesquelles vous trouverez la description de votre appareil et des conseils utiles sur la conservation des aliments. Cette notice doit être conservée pour la céder avec l'appareil aux éventuels propriétaires suivants.

Avant d'utiliser l'appareil

1. Après avoir déballé l'appareil, assurez-vous qu'il n'est pas endommagé et que les portes ferment parfaitement. Tout dommage éventuel devra être signalé au revendeur dans un délai de 24 heures.
2. Nous conseillons d'attendre au moins deux heures avant de mettre l'appareil en service, pour permettre au circuit de réfrigération d'être performant.
3. Assurez-vous que l'installation et le branchement électrique ont été réalisés par un technicien qualifié, conformément aux instructions du fabricant et aux normes locales en vigueur en matière de sécurité
4. Nettoyez l'intérieur de l'appareil avant de l'utiliser.

Instructions spéciales

Si cet appareil vient remplacer un ancien réfrigérateur équipé d'une fermeture mécanique, nous vous conseillons, par mesure de sécurité, de détruire cette dernière, afin d'éviter que les enfants ne restent enfermés à l'intérieur de l'appareil au cours de leurs jeux.

Les anciens réfrigérateurs et congélateurs contiennent de gaz calorifuges et du réfrigérant dont vous devez vous débarrasser. Assurez-vous que les tubes frigorifiques ne sont pas endommagés.



Attention : ce réfrigérateur contient de l'isobutane (R600a), gaz réfrigérant sans CFC, mais combustible. Au cours du transport, de l'installation, du nettoyage et de la réparation du réfrigérateur, faire très attention de ne pas endommager les parties du circuit réfrigérant afin d'exclure la sortie du gaz.

En cas d'endommagement, éviter l'utilisation de flammes nues et bien aérer la pièce dans laquelle se trouve l'appareil.

Avertissements concernant la sécurité

Le constructeur décline toute responsabilité dans le cas où les avertissements suivants ne seraient pas respectés :

- Ne pas mettre l'appareil en marche s'il est endommagé : en cas de doute, demander au revendeur.
- Le branchement au réseau électrique et l'installation de l'appareil doivent être effectués en respectant attentivement les indications du manuel. Les conditions de branchement électrique doivent coïncider avec les données indiquées sur la plaque d'identification. La sécurité électrique de l'appareil est garantie exclusivement si le système de mise à terre de l'installation électrique domestique est conforme aux normes.
- S'assurer que les réparations et les opérations d'entretien sont effectuées exclusivement par des techniciens qualifiés. Toujours débrancher l'appareil en cas de panne, d'entretien, de remplacement de la lampe ou pendant le nettoyage. Pour le dégivrage, ne jamais utiliser d'appareils électriques ou de nettoyeurs à vapeur. Ne pas enlever le givre ou la glace avec des objets tranchants, pour éviter d'endommager définitivement les parois du congélateur.
- Ne pas essayer de déplacer le congélateur en tirant la porte ou la poignée.
- Conserver les boissons alcoolisées à haut degré d'alcool hermétiquement fermées et exclusivement en position verticale. Ne pas conserver dans le compartiment congélateur des liquides en boîtes ou en récipients en verre, surtout s'il s'agit de boissons additionnées d'anhydride carbonique. Ne pas conserver dans le congélateur des produits contenant des gaz, des poudres inflammables et des substances explosives. **Danger d'explosion !**
- Il est interdit d'utiliser des appareils électriques (par exemple des sorbetières ou des mixeurs) à l'intérieur de l'appareil.
- Ne pas obstruer ou couvrir les conduites de circulation d'air pour le fonctionnement correct du congélateur.
- Ne pas toucher ou mettre dans la bouche les produits congelés prélevés directement du congélateur.
- Danger de brûlures, à cause des températures très basses.
- Ne pas consommer d'aliments qui ont une odeur et un aspect anormaux
- **Cet appareil peut être utilisé par les enfants de 8 ans et plus et les personnes atteintes de handicap mental, physique ou sensoriel ou les personnes qui manquent d'expérience ou de connaissances s'ils sont supervisés ou s'ils ont reçu des instructions à propos de l'utilisation de l'appareil d'une manière sûre et s'ils en comprennent les dangers. Les enfants ne doivent pas jouer avec l'appareil. Le nettoyage et l'entretien par l'utilisateur ne peuvent pas être effectués par les enfants à moins qu'ils soient âgés de plus de 8 ans et supervisés.**
- S'il y a une panne de courant, ouvrir le moins possible la/les porte/s. Les aliments congelés qui se sont décongelés complètement ou en partie ne doivent pas être recongelés.

Utilisation du réfrigérateur

Cet appareil est un réfrigérateur à compresseur destiné à la conservation à court terme des aliments dans l'armoire principale et à la conservation à long terme dans le compartiment de congélation.

Cet appareil est destiné à une utilisation domestique ou similaire, telle que dans des :

- Bureaux et autres locaux commerciaux,

- Zones agricoles,
- Hôtels, motels et établissements similaires,
- Maisons d'hôtes.

Cet appareil n'est conçu ni pour un usage commercial ni pour un usage dans la restauration ou environnements similaires.



Attention : le constructeur décline toute responsabilité pour des dommages subis par des personnes ou des choses, causés par l'inobservation des prescriptions susmentionnées ou dérivant de la modification, même d'une seule partie de l'appareil, et de l'utilisation de pièces de rechange qui ne sont pas d'origine.

Installation et branchement

Le choix du lieu

- Positionner toujours le réfrigérateur dans un lieu sec et avec un changement d'air suffisant. Ne pas l'exposer directement aux rayons du soleil et à l'extérieur. Selon la classe climatique d'appartenance (indiquée sur la plaquette appliquée) l'appareil peut être utilisé dans des conditions de température différentes :

Classe	Température ambiante
SN (Subnormale)	de + 10° C à + 32° C
N (Normale)	de + 16° C à + 32° C
ST (Subtropicale)	de + 16° C à +38° C
T (Tropicale)	de + 16° C à +43° C

- Ne pas installer le réfrigérateur près de sources de chaleur. Si cela est inévitable, pour ne pas compromettre le fonctionnement correct de l'appareil, utiliser un panneau isolant approprié. Sinon positionner l'appareil à au moins 3 cm de cuisinières électriques ou à gaz, et à au moins 30 cm de systèmes de chauffage à combustion ou de radiateurs.
- Pour assurer un refroidissement correct du condenseur, le réfrigérateur ne doit pas être positionné trop près du mur. Pour éviter cela, le produit est équipé de deux entretoises en plastique, qui doivent être placées sur la partie supérieure du condenseur. Si le réfrigérateur est installé sous un élément haut, la distance de celui-ci doit être au moins de 5 cm.
- Faire attention si l'on installe l'appareil sur du parquet ou du linoléum, pour éviter de rayer ou d'endommager le carrelage. Si nécessaire, pendant le positionnement faire glisser le réfrigérateur sur des morceaux de bois ou un tapis, jusqu'à ce qu'il soit bien positionné pour le branchement au réseau électrique.

Positionnement et mise de niveau de l'appareil

Placez le frigo sur un fond stable et nivelé. Afin de compenser des irrégularités du sol, le réfrigérateur est doté de deux pieds réglables dans la partie antérieure. Pour garantir une stabilité majeure, un mouvement plus facile et un positionnement correct, la base postérieure est dotée de deux petites roues. En tout cas on conseille de prêter beaucoup d'attention lors du mouvement du frigo, pour éviter d'endommager le sol (surtout dans le cas d'un sol en plancher).

Branchement électrique

La première fois, avant d'allumer le réfrigérateur, le laisser pendant au moins deux heures en position verticale. Connecter le câble d'alimentation à une prise de courant avec contact de terre, installée selon les normes sur la sécurité électrique. La tension nominale et la fréquence sont indiquées sur l'étiquette des caractéristiques placée dans le compartiment réfrigérateur. Le branchement au réseau électrique et la mise à terre doivent être effectués conformément aux normes et aux prescriptions en vigueur.

L'appareil peut supporter des brefs écarts de tension non inférieurs de 15% et non supérieurs de 10% par rapport à la valeur de tension nominale reportée sur la plaquette. Le remplacement du câble d'alimentation ne peut être effectué que par un technicien qualifié.

La prise devra être accessible une fois que l'appareil sera placé.

Description du produit

1. Compartiment congélateur OPTIONAL	2. Bouton du thermostat
3. Étagère en verre	4. Étagère demi-largeur
5. Bac à fruits et légumes	6. Étagères de rack

L'appareil comporte un compartiment de congélation muni d'une porte et situé en partie haute de la cuve. La partie principale de l'appareil se situe sous le compartiment de congélation.

Première utilisation

- Retirez tous les emballages extérieurs et intérieurs, y compris les bandes adhésives.
- Avant de le brancher sur le secteur, vérifiez minutieusement l'appareil, y compris le cordon d'alimentation, pour tout signe de dommages survenus pendant le transport.
- Nettoyez l'appareil en suivant les instructions figurant à la rubrique Entretien et nettoyage ci-après.
- Afin d'assurer le fonctionnement correct de l'appareil, nous vous conseillons de l'installer à sa place et d'attendre au moins 2 heures avant de le brancher sur le réseau électrique.
- Ne vous inquiétez pas si lorsque l'appareil est branché sur le réseau électrique pour la première fois, il dégage une légère odeur. Celle-ci disparaîtra dès que le processus de réfrigération aura commencé.

Rangements des aliments dans le réfrigérateur

- Placer les aliments sur les différentes clayettes en ayant soin de les conditionner ou de les couvrir hermétiquement. Cette précaution permet :
 - de conserver l'arome, l'humidité et la fraîcheur des aliments ;
 - d'éviter qu'il y ait contaminations d'odeurs et de goûts entre les aliments ;
 - d'éviter une accumulation excessive d'humidité à l'intérieur du compartiment, due à la transpiration normale des aliments (en particulier des fruits et des légumes frais), qui, dans des conditions déterminées de fonctionnement (augmentation de la température et de l'humidité de l'environnement, augmentation de la fréquence d'ouverture de la porte), pourraient provoquer la formation de vapeur d'eau condensée sur les clayettes.

- N'utiliser que des récipients adaptés à la conservation des aliments. Toujours faire refroidir à température ambiante les boissons et les aliments chauds avant de les introduire dans le réfrigérateur.
- Ne pas conserver dans l'appareil des substances explosives et conserver les boissons alcoolisées à haut degré d'alcool hermétiquement fermées et en position verticale.

Réglage de la température de refroidissement

Votre appareil ne dispose que d'un seul contrôle de régulation de la température dans le compartiment. Le contrôle de la température se trouve sur le côté supérieur droit. Lorsque vous allumez l'appareil pour la première fois, réglez le contrôle de la température sur «5».

La plage de contrôle de la température va de la position «0» à «5». Après 24 à 48 heures, ajustez le contrôle sur le réglage qui convient le mieux à vos besoins. Le réglage sur «3» devrait convenir à un usage domestique ou de bureau.

Pour éteindre l'appareil, tournez le contrôle de la température en position «0».

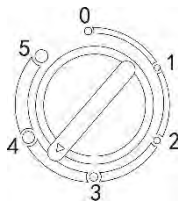
REMARQUES : Tourner le contrôle de la température en position «0» arrête le cycle de refroidissement, mais ne coupe pas l'alimentation de l'appareil. Si l'appareil est débranché, n'est plus alimenté ou est éteint, vous devez attendre 3 à 5 minutes avant de le redémarrer. Si vous essayez de redémarrer avant ce délai, l'appareil ne démarrera pas.

Si le réfrigérateur ne va pas être utilisé pendant longtemps, procédez comme suit :

- Débranchez le réfrigérateur de l'alimentation secteur en retirant la fiche de la prise murale.
- Nettoyez et séchez l'intérieur en suivant les instructions de la rubrique «Entretien et nettoyage».
- Laissez la porte ouverte pour éviter l'accumulation d'odeurs désagréables pendant que le réfrigérateur n'est pas utilisé.



Important : Le changement des conditions climatiques (température et humidité) et la fréquence d'ouverture de la porte des deux compartiments peuvent avoir une influence sur les températures de fonctionnement du réfrigérateur.



Entretien et nettoyage

Dégivrage

1. Lorsque le réfrigérateur fonctionne pendant une période de temps, la surface intérieure de la chambre réfrigérée sera recouverte d'une couche de givre. Il peut augmenter la consommation d'électricité et de réduire l'effet de réfrigération. Ensuite, vous devez faire enlever le gel à la fois.
2. Lors de la décongélation, tournez le bouton en position «0» pour couper l'alimentation, ouvrez la porte et déplacez les aliments dans un endroit ombragé et réfrigéré, décongelez avec un grattoir en plastique ou laissez la température augmenter naturellement jusqu'à ce que le gel fonde. Essuyez ensuite la glace et l'eau restantes et rallumez l'électricité.

Remarque: n'utilisez jamais d'outils métalliques tranchants, car cela pourrait endommager le réfrigérateur.



Attention la formation de glace sur la paroi arrière peut varier avec le changement des conditions climatiques (température et humidité), la fréquence d'ouverture de la porte, les températures de fonctionnement de l'appareil, la quantité d'aliments frais contenus (en particulier fruits et légumes).

Nettoyage du réfrigérateur

Nettoyez l'appareil régulièrement. Pour cela, veuillez prendre en compte les directives suivantes.

- Ne nettoyez pas l'appareil lorsqu'il est branché sur une prise.
- Ne pas utiliser de produits abrasifs pour nettoyer l'appareil, cela peut l'endommager.
- Utilisez un détergent doux pour nettoyer les compartiments et étagères du réfrigérateur. Veuillez à sécher entièrement toutes les surfaces après le nettoyage.
- Videz l'appareil et nettoyez l'intérieur avec un chiffon humide.
- L'accumulation de poussière à l'arrière de l'appareil peut l'empêcher de fonctionner de façon optimale et augmenter sa consommation énergétique. Une fois par an, retirez soigneusement la poussière de l'arrière de l'appareil avec une brosse douce.

Remplacement de la lampe d'éclairage interne

Avant de remplacer la lampe, vérifiez que le non fonctionnement ne soit pas lié au simple desserrage de la pièce à l'intérieur de la douille. De toute façon, que l'on veuille vérifier l'introduction incorrecte ou que l'on veuille remplacer la lampe, pour des raisons de sécurité débranchez la prise de courant de l'appareil.

1. Premièrement, débranchez le cordon d'alimentation, et retirez ensuite le panneau de commande.
2. Retirez l'ancienne ampoule en la dévissant à la main dans le sens inverse des aiguilles d'une montre
3. Insérez une nouvelle ampoule (10W) en la vissant à la main dans le sens des aiguilles d'une montre, remettez le cache de la lampe en place et vissez à l'aide d'un tournevis.

Règles Importantes

- Ne mettez jamais d'aliments chauds dans le réfrigérateur.
- Les boissons doivent être stockées dans des récipients fermés.
- Les aliments à conserver plus longtemps au réfrigérateur doivent être couverts ou conservés dans des récipients en verre.
- Ne mettez jamais de nourriture gâtée dans le réfrigérateur.
- Assurez-vous que le réfrigérateur n'est jamais surchargé afin que les aliments puissent être suffisamment rafraîchis.
- N'ouvrez la porte du réfrigérateur que lorsque cela est nécessaire.
- Il n'est pas destiné à une utilisation en extérieur (par exemple une tente) pendant le camping. Il ne peut être utilisé qu'à l'intérieur.

Dépannage

En cas de dysfonctionnement, vous pouvez résoudre de nombreux problèmes communs facilement.

Votre réfrigérateur ne fonctionne pas, vérifiez si :

- Le cordon d'alimentation électrique est débranché.
- Le bouton de thermostat est en position « OFF ».

La lumière ne s'allume pas, vérifiez si :

- Le cordon d'alimentation électrique est débranché.
- Un fusible domestique ou un disjoncteur s'est déclenché.
- Une ampoule est desserrée dans la douille.
- Une ampoule a grillé.

Des aliments se congèlent dans le compartiment réfrigérateur, vérifiez si :

- Le réglage du bouton de thermostat est trop froid.
- Les aliments stockés touchent la paroi arrière du réfrigérateur.

Des aliments dans le compartiment réfrigérateur ne sont pas froids, vérifiez si :

- La porte est ouverte trop souvent ou n'est pas correctement fermée.
- Une grande quantité d'aliments vient d'être ajoutée au réfrigérateur ou au compartiment réfrigérateur.
- La position de réglage du bouton de thermostat est trop basse.

Du givre fondu fuit à l'intérieur du compartiment ou sur le sol, vérifiez si :

- Le tuyau de drainage est bouché.
- Le bac à eau est correctement positionné.

Le réfrigérateur semble faire des bruits inhabituels, vérifiez si :

- Le réfrigérateur est nivelé au sol.
- Le réfrigérateur touche au mur.
- Le bac à eau est correctement positionné.

De l'humidité s'accumule à l'intérieur, vérifiez si :

- Les orifices de ventilation sont bloqués dans le réfrigérateur.
- La porte est ouverte trop souvent.
- La pièce est humide.
- Les aliments ne sont pas emballés correctement.
- Le contrôle n'est pas réglé correctement par rapport aux conditions environnantes.

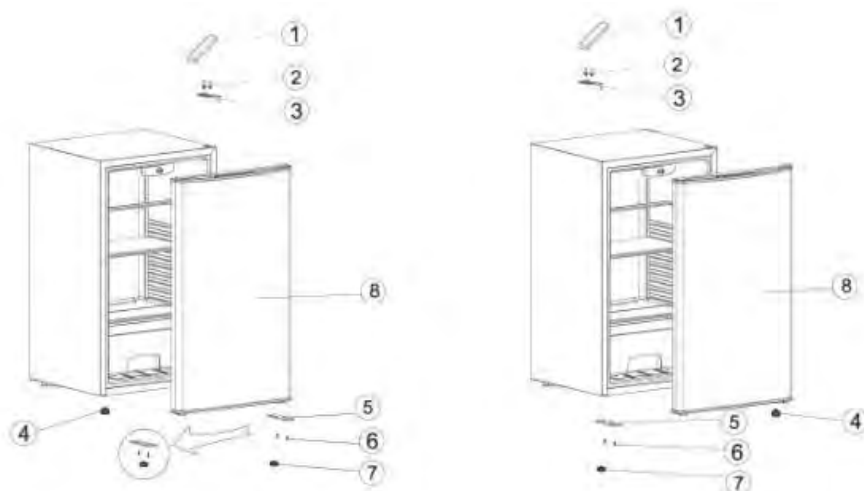
Les portes ne ferment pas complètement, vérifiez si :

- Les étagères ne sont pas dans la bonne position.
- Les joints sont sales.
- Le réfrigérateur n'est pas à niveau.

Inversion de porte

Ce réfrigérateur a été construit avec les charnières de porte à droite ou à gauche selon le modèle. Si vous voulez changer le sens de l'ouverture, se il vous plaît suivez les instructions ci-dessous.

AVERTISSEMENT : Lors de l'inversion de la porte, l'appareil ne doit pas être branché sur le secteur. Retirez la fiche de la prise à l'avance.



1. Retirez le capuchon de protection (1) de la charnière.
2. Retirez les vis (2) de la charnière supérieure. Retirez la charnière (3).
3. Retirez le petit capuchon de protection de la porte en haut et placez-le dans le trou du côté opposé. Retirez la porte (8) et placez-la sur une surface qui ne la rayera pas.
4. Allongez l'appareil sur le sol pour le soutenir et retirez les pieds réglables (4 et 7).
5. Dévissez les vis (6) de la charnière inférieure (5) et fixez-la sur le côté opposé de l'appareil. Remplacez les pieds réglables (4 et 7).
6. Repositionnez l'appareil sur sa position d'origine et accrochez la porte sur l'appareil.
7. Enfin, revissez la charnière supérieure en place. Assurez-vous que le joint en caoutchouc est bien étanche. Positionnez la porte de façon à ce qu'elle soit alignée au-dessus de l'appareil. Serrez toutes les vis et placez le capuchon de protection (1).

Données Techniques

Référence	NVR-5500SDC
Alimentation/ Classe de protection	220-240 V~ 50Hz / I
Courant nominal	0.7A
Puissance maximale de la lampe (*)	10W
Réfrigérant gaz / Quantité	R600a / 21g
Isolation gazeuse	Cyclopentane (C ₅ H ₁₀)
Classe énergétique (1)	F
Consommation d'énergie (2)	0.150kWh/24h
Consommation d'énergie (2)	0.436kWh/24h
Consommation d'énergie annuelle (2)	107kWh/an
Capacité totale de stockage	91L
Le mode de dégivrage	Manuel
Classe Climatique	N/ST (+16°C à +38°C)
Bruit [dB (A) re 1pW]	41 dB(A)
Poids net/Poids brut	19kg/21kg
Dimensions (L x P x H)	480mm x 450mm x 831mm
(1) Classe énergétique : A.....G (A= économique...G= moins économique)	
(2) La consommation d'énergie réelle dépend des conditions et de l'emplacement de l'appareil.	

(*) Ce produit contient une source lumineuse de classe d'efficacité énergétique G.

Déclaration de conformité

Cet appareil est destiné à la conservation des denrées alimentaires et est fabriqué conformément à la Directive Européenne 10-2011 et au règlement (CE) No. 1935/2004.

Cet appareil a été conçu, construit et mis sur le marché conformément aux:



- objectifs de sécurité de la Directive Basse Tension 2014/35/UE;
- conditions requises en matière de protection de la Directive EMC 2014/30/UE;
- matériaux et objets en matière plastique destinés à entrer en contact avec des denrées alimentaires Règlement (UE) N° 10/2011.

- Règlement (UE) 2019/2016 et Règlement (UE) 2019/2019

La sécurité électrique de l'appareil est garantie uniquement si celui-ci est correctement branché à une installation de mise à la terre performante et réglementaire.

Élimination – La politique environnementale

Emballage



L'emballage est 100% recyclable et porte le symbole du recyclage. Pour la mise au rebut, suivez les réglementations locales en vigueur. Les matériaux d'emballage (sachets en plastique, éléments en polystyrène, etc.) doivent être tenus hors de portée des enfants, car ils constituent une source potentielle de danger.

Mise au rebut

Cet appareil a été fabriqué avec des matériaux recyclables.

Cet appareil porte le symbole du recyclage conformément à la Directive Européenne **2012/19/UE** concernant les Déchets d'Équipements Électriques et Électroniques (DEEE ou WEEE).

En procédant correctement à la mise au rebut de cet appareil, vous contribuerez à empêcher toute conséquence nuisible pour l'environnement et la santé de l'homme.

Le symbole présent sur l'appareil ou sur la documentation qui l'accompagne indique que ce produit ne peut en aucun cas être traité comme déchet ménager. Il doit par conséquent être remis à un centre de collecte des déchets chargé du recyclage des équipements électriques et électroniques.



Au moment de la mise au rebut, rendez l'appareil inutilisable en sectionnant le câble d'alimentation et en démontant les portes et les grilles, de façon que les enfants ne puissent accéder facilement à l'intérieur de celui-ci.

Pour la mise au rebut, respectez les normes relatives à l'élimination des déchets en vigueur dans le pays d'installation et remettez l'appareil à un centre de collecte. Évitez de laisser l'appareil sans surveillance, même pendant quelques jours seulement, car il représente une source de danger pour les enfants. Pour obtenir de plus amples détails au sujet du traitement, de la récupération et du recyclage de cet appareil, veuillez vous adresser au bureau compétent de votre commune, à la société locale de collecte des déchets ménagers ou directement à votre revendeur.

Déclaration de garantie

Termes et conditions de la garantie

1. Le produit est garanti pour la période stipulée par la législation où il est mis sur le marché, à compter de la date d'achat, contre les défauts de fabrication et/ou de main d'œuvre. Le défaut de conformité manifesté dans ce délai est présumé exister à la date d'achat. Passé ce délai, il appartient au client de prouver que le défaut de conformité existait déjà au moment de la livraison.
2. Si, pendant la période de garantie, le produit est défectueux en utilisation normale, l'acheteur doit contacter l'établissement de vente et envoyer l'appareil à l'endroit indiqué par le vendeur.
3. La garantie n'est valable que sur présentation de la facture prouvant l'achat et du certificat de garantie complété (indiquant la date d'achat, le nom du revendeur, la référence du modèle, et il est également recommandé d'indiquer le numéro de série et le numéro de lot).

4. L'importateur/vendeur se réserve le droit de refuser l'assistance de garantie dans le cas où ces informations ont été supprimées ou modifiées après l'achat initial du produit.
5. La responsabilité de l'importateur/vendeur comprend, entre autres, les frais de réparation et/ou de remplacement de l'unité couverte par la garantie avec la réserve du droit de la remplacer par un produit équivalent, lorsqu'il n'est pas possible de la réparer.
6. La garantie ne s'applique pas aux problèmes qui ne sont pas directement liés à des défauts de matériau, de conception ou de fabrication.
7. Ce produit est un appareil et est destiné à un usage domestique uniquement. La garantie expirera si le produit est utilisé à des fins professionnelles.
8. La garantie ne couvre pas les dommages causés par une mauvaise utilisation, une mauvaise installation, un déversement, des facteurs externes ou des dommages intentionnels.
9. La garantie ne couvre pas les dommages résultant de chutes, de l'utilisation d'une force excessive, des coups, de l'exposition à des conditions environnementales extrêmes ou de la détérioration causée par l'utilisation normale de pièces en plastique ou de claviers, ainsi que l'utilisation de batteries autres que celles spécifiées dans ce manuel.
10. La garantie ne couvre pas l'installation et la programmation par le concessionnaire. En particulier, aucune réclamation pour l'installation et la programmation gratuite par le revendeur ne peut être acceptée.
11. La garantie ne couvre pas les défauts qui nuisent de manière insignifiante au fonctionnement de l'appareil. Les autres frais, tels que l'installation, le transport et le déplacement du technicien sont expressément exclus de la garantie.
12. L'applicabilité de la garantie suppose que l'appareil soit envoyé à l'établissement du vendeur ou à l'endroit indiqué par celui-ci, complet et dans un emballage bien protégé (si possible dans son emballage d'origine) et accompagné de la feuille ou de la carte de garantie respective, dûment rempli et d'une preuve d'achat.
13. Si, après vérification, il s'avère qu'il n'y a aucune raison pour la réclamation, ou que le produit n'est pas défectueux, les coûts inhérents seront imputés au client, et le revendeur est autorisé à facturer ces coûts au client.
14. La garantie sera annulée lorsqu'elle montre des signes qu'une personne non autorisée a tenté d'effectuer des réparations, des modifications ou le remplacement de pièces sur l'appareil.
15. Les réparations effectuées après la fin de la période de garantie sont soumises à des frais.
16. Cette garantie n'affecte pas vos droits légaux que vous pouvez avoir en tant que consommateur en vertu de la législation nationale applicable régissant l'achat de produits lorsque le produit est vendu.
17. **Période de garantie :**
 - Pays de l'Union Européenne** - Les directives européennes (UE) 2019/771 et (UE) 2019/770 s'appliquent à certains aspects des contrats d'achat et de vente de biens meubles et transposées dans les législations nationales de leurs pays.
 - Autres pays** - la législation nationale sur les droits des consommateurs dans leur pays s'applique. En l'absence de législation officielle, la garantie est appliquée à la discrétion de l'importateur qui met le produit sur le marché ou de l'établissement du vendeur.



nevir®

NEVIR, S.A.

P. I. La Garena - C/ Francisco Rabal, 3

28806 - Alcalá de Henares - Madrid (España)

T.: 91 737 27 77 - info@nevir.es - www.nevir.es
