

# nevir

## USER MANUAL



### NVR-8074-40FHD2SB-SMAN



#### **IMPORTANTE**

Please read this manual carefully before installing and operating the TV.

Keep this manual handy for further reference



# Table of Contents

<b>Caution and Warning</b> .....	1
<b>Safety Precautions</b> .....	2
<b>Preparation for Your New TV</b> .....	3
Check Accessories .....	3
Stand Installation Guide .....	3
<b>Wall mount specification</b> .....	4
<b>TV Jacks Explanation</b> .....	5
<b>External Device Connection Diagram</b> .....	6
<b>Side Keypad and Front Panel</b> .....	7
Keypad Buttons.....	7
Front Panel .....	7
<b>Remote Control Instructions</b> .....	8
Inserting Batteries in the Remote .....	8
Remote Control Reception Angle .....	8
<b>Learning about Remote Control</b> .....	9
Remote Control Buttons .....	9
<b>Basic Operations</b> .....	10
Turning On and Off .....	10
Select input source .....	10
Adjust the OSD Screen .....	10
<b>Smart TV Operation</b> .....	11
<b>Media Operation</b> .....	16
<b>Main Menu Operation</b> .....	18
<b>Troubleshooting</b> .....	26
Identifying Problems .....	26
<b>Specification</b> .....	27

---

*\* The pictures, functions and other information provided in the manual are for reference only. If it does not match the actual object, please refer to the actual product.*

---



# Caution and Warning



**CAUTION**  
**RISK OF ELECTRIC SHOCK**  
**DO NOT OPEN**



**Caution: To reduce the risk of electric shock, do not remove cover or back. No user-serviceable parts inside. Refer servicing to qualified service personnel.**



The lightning flash with arrowhead symbol, within an equilateral triangle is intended to alert the user to the presence of uninsulated dangerous voltage within the product enclosure that may be of sufficient magnitude to constitute a risk of electric shock.



The exclamation point within an equilateral triangle is intended to alert the user to the presence of important operating and maintenance (servicing) instructions in the literature accompanying the TV.

**WARNING: TO REDUCE THE RISK OF FIRE OR ELECTRIC SHOCK, DO NOT EXPOSE THIS APPLIANCE TO RAIN OR MOISTURE.**

**CAUTION: CHANGES OR MODIFICATIONS NOT EXPRESSLY APPROVED BY THE PARTY RESPONSIBLE FOR COMPLIANCE WITH THE FCC RULES COULD AVOID THE USERS AUTHORITY TO OPERATE THIS EQUIPMENT.**



# Safety Precautions

1. Read these instructions.
2. Keep these instructions.
3. Notice all warnings.
4. Follow all instructions.
5. Do not use this apparatus near water. For example, do not use near a laundry tub, in a wet basement, or near a swimming pool, and the like.
6. Clean only with dry cloth.
7. Do not block any ventilation openings. Install in accordance with the manufacturer's instructions. Slots and openings in the cabinet back or bottom are provided for ventilation, to ensure reliable operation of the TV and to protect it from overheating. These openings must not be blocked or covered. The openings should never be blocked by placing the TV on a bed, sofa, rug, or other similar surface.
8. Do not install near any heat sources such as radiators, heat registers, stoves, or other apparatus (including amplifiers) that produce heat.
9. Do not modify the safety purpose of the polarized or grounding-type plug. A polarized plug has two blades with one wider than the other. A grounding-type plug has two blades and a third grounding prong. The wide blade or the third prong is provided for your safety. If the provided plug does not fit into your outlet, consult an electrician for replacement of the obsolete outlet.
10. Protect the power cord from being walked on or pinched particularly at plugs, convenience receptacles, and the point where they exit from the apparatus.
11. Only use attachments/accessories specified by the manufacturer.
12. Use only with cart, stand, tripod, bracket, or table specified by the manufacturer, or sold with the apparatus. When a cart is used, use caution when moving the cart/apparatus combination to avoid injury from tip-over. A TV and cart combination should be moved with care. Quick stops, excessive force, and uneven surfaces may cause the TV and cart combination to overturn.
13. Unplug this apparatus during lightning storms or when unused for long periods of time. For added protection for this TV receiver during a lightning storm, or when it is left unused for long periods of time, unplug it from the wall outlet and disconnect antenna or cable system. This will prevent damage to the TV due to lightning and power line surges.
14. Refer all servicing to qualified service personnel. Servicing is required when the apparatus has been damaged in any way, such as power-supply cord or plug is damaged, liquid has been spilled or objects have fallen into the apparatus, the apparatus has been exposed to rain or moisture, does not operate normally, or has been dropped.
15. This TV should be operated only from the type of power supply indicated on the rating label. If customer is not sure the type of power supply in your home, consult your appliance dealer or local power company. For TV remote control battery power, refer to the operating instructions.
16. The TV set shall not be exposed to dripping or splashing. No objects filled with liquids, such as vases, shall be placed on the TV set.
17. Never insert objects of any kind into this TV through openings as they may touch dangerous voltage or other electrical parts that could result in fire or electric shock. Never spill liquid of any kind into the TV.
18. Unplug the TV from the wall outlet before cleaning. Do not use liquid or aero cleaners. Use a damp cloth for cleaning.
19. This TV should never be placed near or over a radiator or heat resource. This TV should not be placed in a built-in installation such as a bookcase or rack unless proper ventilation is provided or the manufacturer's instructions have been adhered to.
20. Do not place this TV on an unstable cart, stand, tripod, bracket, or table. The TV may fall, causing serious injury to someone, and serious damage to the appliance.
21. Do not attempt to service this TV by yourself because opening or removing covers may expose you to dangerous high voltage or other hazards. Refer all servicing to qualified service personnel.
22. **WARNING:** To prevent injury, this apparatus must be securely attached to the floor/wall in accordance with the installation instructions.



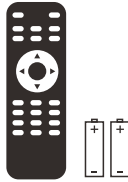
# Preparation for Your New TV

## Check Accessories

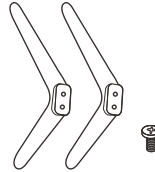
Check the accessories that are packed with your TV.



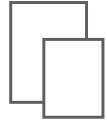
LED TV



Remote Control & Batteries



TV Stand Base  
+  
4 x Screws



User's manual  
+  
Warranty Card

## Stand Installation Guide

The TV is packaged with the TV stand separated from the cabinet. To setup the TV table stand, please carry out the installation according to the instructions below.

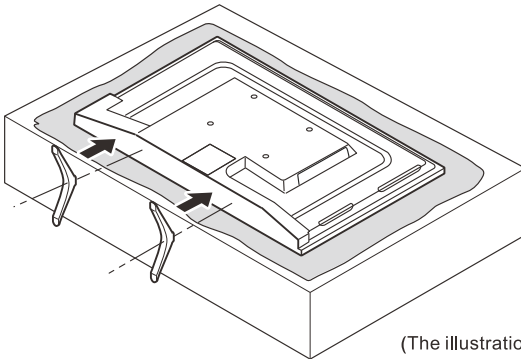
1. The panel can be scratched easily, so please:

Place a soft cloth on the table and place the TV face down on the cloth.

Note: Always unplug the AC cord first when installing/removing the stand.

2. Take the base. Please align the screw holes of the base and the TV, and then insert the screws into the holes on the base and tighten them.

Note: To ensure that the TV is stable, please lock all screws.



(The illustration is for reference only, Please prevail in kind)

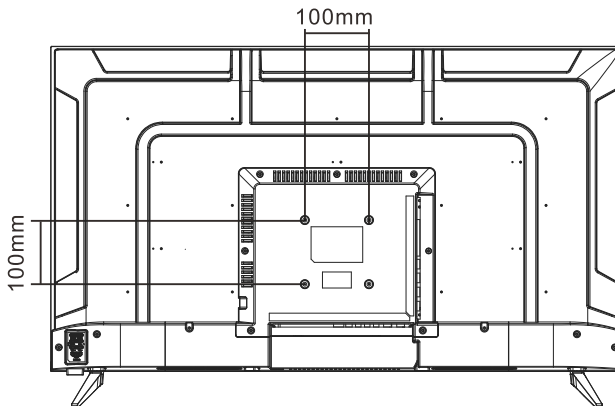
Please take note of the base direction:



The bottom view of the TV  
(Front cabinet faces down)

## Wall Mounting(if available)

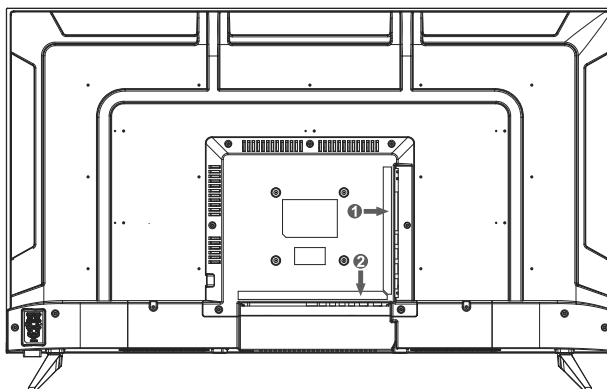
Unit Dimension (unit:mm)	Screws
VESA 100x100mm	M4x6mm, 4pcs
<b>Note:</b> The length of the screw specified is only a recommendation; actual length required can vary depending on the type of wall mount used.	



### Warnings:

1. Do not set up the wall mount by yourself. Please contact qualified professionals for installation.
2. The TV should not be mounted on walls or surfaces which have an angle more than 10 degrees with vertical direction. Otherwise the TV set may fall.
3. The walls for mounting must have enough strength to hold the whole weight of TV set. For example, concrete wall and brickwork are eligible. Do not place the mount on soft walls such as earth walls and plasterboard.
4. If spare parts of different specifications (such as screws) are used during mounting, consult with qualified professionals to make sure these parts are safe and effective.
5. Before attaching the base to wall, ensure the holes for anchors are in keeping with the installing rules. Otherwise there may exist some potential problems.
6. Do not place any heating source under your television. Or else, it can cause fire.
7. Do not place the TV near anything dripping. Transducers and high voltage wires should be kept far away from the apparatus too. Or else, it may cause creepage, electric shock or bad resonance.
8. Do not place TV in a location where collision or vibration is liable to happen.
9. In order to avoid unexpected falling of the TV set, do not put any strong force on TV or wall mount after installing.
10. Be sure to unplug the TV before installing. Keep anything hard or sharp away from the screen panel to prevent the scuffing.
11. After installing, if there is any need to move the cabinet, please contact the qualified professionals.

# TV Jacks Explanation



①	HDMI1/ARC	HDMI2	HDMI3	USB2 USB1	CI Earphone		
②	RJ45	COAX	CVBS	L	R	RF(S2)	RF(T2)

**RJ45:** Connect the Internet.

**COAX:** Digital TV sound output .

**CVBS :** Connect an AV device that has composite video jacks, such as a VCR or DVD Player.

**L:** Left audio channel connection. The left audio connector is usually white.

**R:** Right audio channel connection. The right audio connector is usually red.

**RF :** Connect to receive the signal from your antenna or cable through a coaxial cable.

**HDMI:** (High-Definition Multimedia Interface) Provides an uncompressed digital connection.

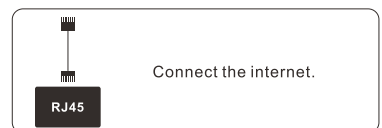
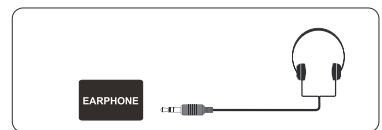
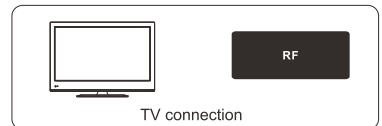
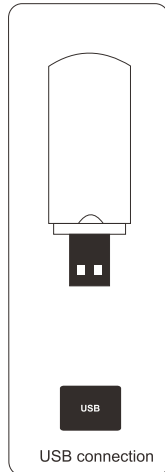
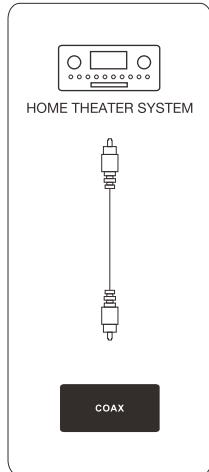
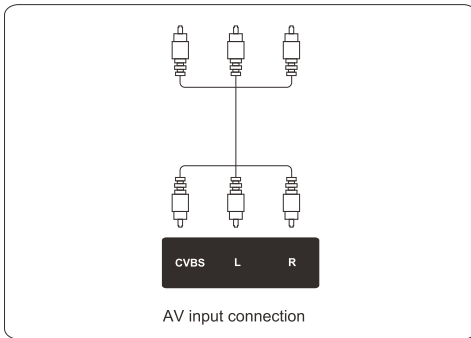
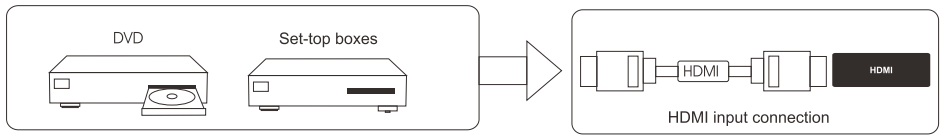
**USB:** Connect the USB device such as the flash disk to access the TV media function.

**CI:** CI card reader.

**EARPHONE:** Connect a 3.5mm headset for personal audio.



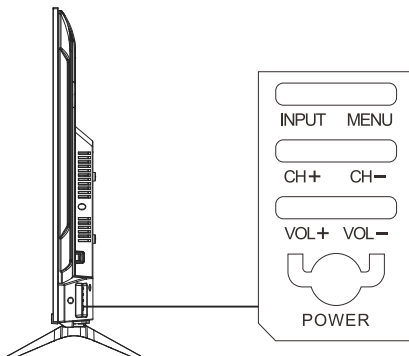
# External Device Connection Diagram



# Side Keypad and Front Panel

## Keypad Buttons

If you cannot locate your remote, you can use the side keypad buttons on your TV to operate many TV features.



**INPUT:** Displays the Source Select List.

**MENU:** Displays the TV Main Menu.

**CH+ :** Scans up through the channel list. In the TV menu system, it acts like the up arrow on the remote control and can be used to select menu options.

**CH- :** Scans down through the channel list. In the TV menu system, it acts like the down arrow on the remote control and can be used to select menu options.

**VOL+:** Increases the volume. In the TV menu system, it acts like the right arrow on the remote control and can be used to select menu options.

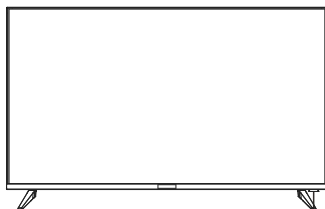
**VOL-:** Decreases the volume. In the TV menu system, it acts like the left arrow on the remote control and can be used to select menu options.

**POWER (⏻):** Turns the TV on and off.

## Front Panel

**Power/Standby Indicator:** White and indicator off. It shows White when the TV is standby and indicator off when turned on.

**Remote Control Sensor:** Remote control IR sensor, which receives infrared ray sent by remote control.



Remote Control Sensor  
Power/Standby Indicator

**NOTE:** If there is a protective film around the screen, remove the protective film before using the TV.

# Remote Control Instructions

## Inserting Batteries in the Remote

1. Remove the battery compartment cover from the back of the remote control by lifting the cover.
2. Insert 2AAA batteries ,making sure the polarities(+and-) are aligned correctly.
3. Replace the cover.

### If the remote control does not work, check these points:

- Are the polarities (+, -) correct?
- Are the batteries worn out?
- Is there an AC power failure?
- Is the power cord plugged in?
- Is there any interference or block near the remote control sensor?

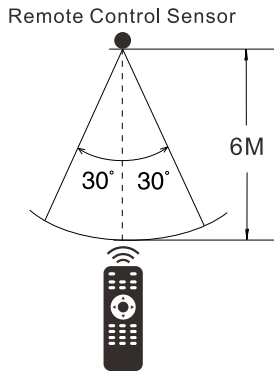
### CAUTION:

- Used batteries should be recycled.
- Keep out of children's reach.
- DO NOT use new and old batteries together.
- Change both the batteries at the same time.
- When not using the remote control for a long time, remove the batteries from the unit.

**Warning:** All batteries (packed or in use) must not be exposed to high temperature like sun heat or fire.

## Remote Control Reception Angle

Use your remote control within the distance and angle range shown below.



# Learning about Remote Control



## Remote Control Buttons

**POWER** (⏻): Turns the TV on or off.

**MUTE** (🔇): Reduces the TV volume to its minimum level. Press again to restore the volume.

**RED/GREEN/YELLOW/BLUE**: Use add-on functions in OSD menu.

**EPG**: Shows Electronic Program Guide.

**HOME**: Press to open Android home page.

**REC**: Personal video record button. A USB memory device must be connected to the USB port for recording.

**SETUP**: Press to open Android's settings menu.

**SUB-T**: Display caption information

**MOUSE**: Switch to the mouse mode.

**TIME-SHIFT**: Press to activate Time Shift function in Digital TV mode, for delayed viewing.

**TV/RADIO**: Switch the unit between TV and radio.

**TEXT**: To enter Teletext mode.

**INDEX**: To display the index page.

**MIX**: TV and TXT picture are mixed together in transparent background.

**REVEAL**: Teletext mode-To reveal or hide the hidden words.

**HOLD**: Teletext mode-Mode current page which is display.

**SUBPAGE**: Sub coded page access.

**SIZE**: Change the size of display in Teletext mode.

**CANCEL**: To cancel the display.

▶ || : play and pause media files.

■ : Stop media files.

◀ ▶ : Fast review and fast forward.

◀▶ : Select the previous or the next media file.

**INFO**: Press to display the current program information on the screen.

**INPUT**: Press to select signal source.

**MENU**: Accesses the Main Menu, or return to the upper level of a sub-menu.

**EXIT**: Exits the current menu or function.

**Arrows** (◀/▶/▲/▼): Uses the four arrows to highlight different items in the TV menu or change the value.

**OK**: Enter and confirm button.

**VOL+** or **VOL-**: Increases or decreases the TV volume.

**CH+** or **CH-** : Scans up or down through the current channel list.

**AUDIO**: Switch the audio channel in DVD or multimedia mode.

**SLEEP**: Selects the sleep timer, after which the TV will shut off automatically.

**NUMBER BUTTONS**: Press 0-9 select a TV channel directly when you are watching TV.

**"-/--"**: Set up the digit of channel.

**Recall** (↶): Returns to the previous channel.

**P.MODE**: Switches between the preset picture mode.

**FAV**: Show favorite channel list.

**S.MODE**: Switches between the preset sound mode.

### NOTE:

- ◆ All pictures in this manual are examples, only for reference, actual product may differ from the pictures.
- ◆ The buttons not mentioned here are not used.



# Basic Operations

## Turning On and Off

Connect the AC cord to power the TV. At this time the TV will enter standby mode and power indicator will turn White. Use Power button(⏻) on the TV or on the remote control to turn on the TV. After switching off the TV for 5 seconds, you can turn on TV again.

## Select input source



Press **INPUT** button to display the input source list;  
Press **▲/▼** button to select the input source you want to watch;  
Press **OK** button to enter the input source;

## Adjust the OSD Screen

- Press **MENU** button to display the MAIN OSD MENU;
- Press **◀/▶** button to select the **MENU** you want;
- Press **OK** button to enter the sub menu, and press **MENU** button to return back to the previous menu.
- Press **▲/▼** button to select the option and then press **OK** button to enter the submenu, press **◀/▶** button to adjust the value or press **◀/▶** button to select in the sub-menu;

You can press **MENU** button to save and return back to the previous menu, and press **EXIT** button to exit the entire menu.



# Smart TV Operation

## Settings

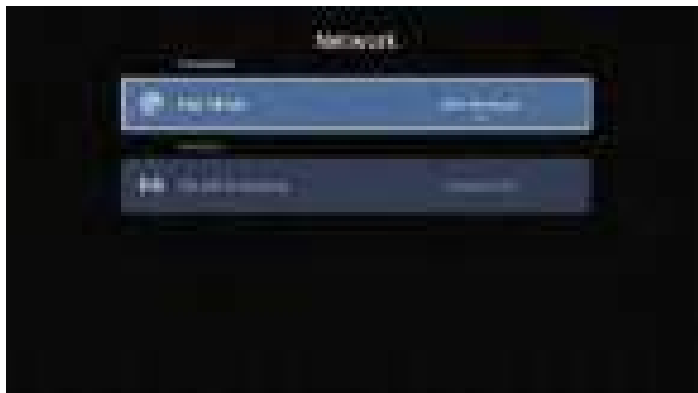
Press ▼/▲/◀/▶ to select Settings in the Launcher. Press OK to enter the sub-menu. Press ◀/▶ to select Network/Time/Common/System Info.



# Smart TV Operation

## Network Settings

Press ◀ / ▶ button to select Network.



## WI-FI Setting

Select Wi-Fi, then enter the password to connect.





# Smart TV Operation

## Time Setting

Press ◀/▶ button to select Time.



Auto Attach	Get the current time and date automatically.
Time Zone	Set the current time zone.
Daylight Saving	Set the daylight saving Auto/On/Off.
Time Edit	Set the current time.
Date Format	Set date format.
24 Hours	Select the 12 hours or 24 hours.
Screen saver time	Set the screen saver time as Off/1min/2min/5min.
Sleep Timer	Set the sleep timer as Off/15min/30min/45min/60min/90min/120min/240min.

## Common Settings

Press ◀/▶ button to select Common.



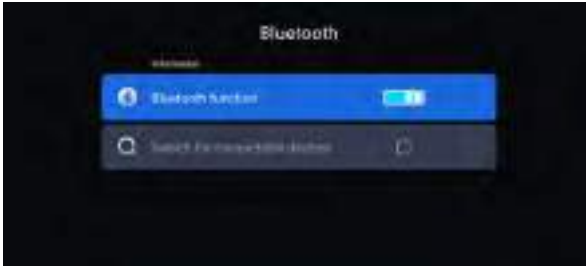
Language Setting:	Select current display language.
Input Method:	Select the input method.
WallPaper:	Set the Wallpaper.
System Recovery:	Recover system to original state.
The device name	Set the device name.

# Smart TV Operation

## Bluetooth

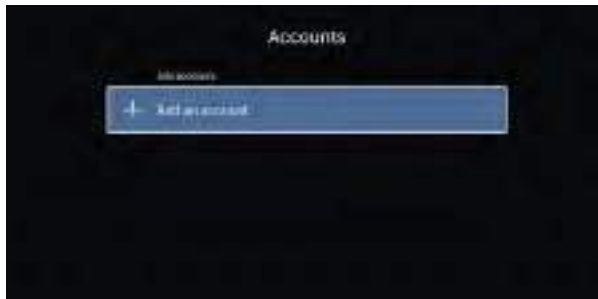
Press ◀/▶ button to to select Bluetooth and enter the submenu.

Select the Bluetooth device in the list, and then tap the Bluetooth device to start pairing, and you can use the Bluetooth device after the pairing is successful.



## Accounts

Press ◀ / ▶ button to to select Account.



## System Information

Information about the TV.



# Media Operation

## Multimedia

Please Note: Before operating the Media menu, plug in a USB device.  
Select Media in the Launcher and press “OK” to enter the sub-screen.  
Press ▼/ ▲/◀/ ▶ to select(All/Video/Audio/Image).



Press ▼/ ▲/◀/ ▶ button to select the Video, and Press OK button to enter.  
Press Menu button to display the setting options on the left side, Then press the arrow buttons on the remote control to select the option you want to operate.



# Media Operation

Press ▼/▲/◀/▶ button to select the Music, and Press OK button to enter.

Press Menu button to display the setting options on the left side, Then press the arrow buttons on the remote control to select the option you want to operate.



Press ▼/▲/◀/▶ button to select the Image, and Press OK button to enter.

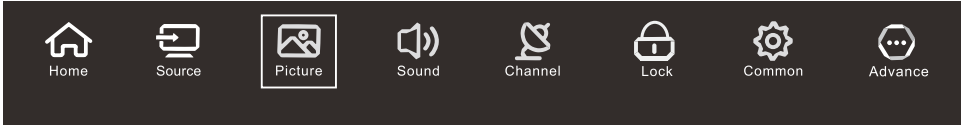
Press Menu button to display the setting options on the left side, Then press the arrow buttons on the remote control to select the option you want to operate.



# Main Menu Operation

## Picture Menu

Press ◀/▶ button to select PICTURE in the main menu.  
Press OK to enter the sub-menu.



Press ▼/▲ to select: Picture Mode/Contrast/ Brightness/Color/Sharpness/Backlight/  
Noise Reduction/Aspect Ratio/Color Temp/More Setting.  
Press ◀/▶ to adjust or select.



## Picture Mode

Press ▼/▲ button to select Picture Mode, then press ◀/▶ button to select  
(Available options : Standard,Dynamic,Soft, Energy Saving,User).

- Standard**      The default mode allowing users to experience high-quality images under normal light.
- Dynamic**      Enhance the contrast ,color and clarity of the screen, so that the picture in the dynamic will balance the color.
- Soft**            Reduces the screen contrast, color and clarity to make the screen look soft.
- Energy Saving**    Selecting a power saving mode.
- User**             User-defined picture settings.

# Main Menu Operation

## Contrast/Brightness/Colour/Sharpness/Backlight

Press ▼/▲ to select and press ◀/▶ to adjust.

Contrast	Adjust image contrast.
Brightness	Adjust image brightness.
Color	Adjust image color density.
Sharpness	Adjust image Sharpness density.
Backlight	Adjust the screen backlight brightness.

## Noise Reduction

Set the option to eliminate image noise intensity.

Press ▼/▲ to select Noise Reduction and press ◀/▶ to select (Available options: Off,Low,Middle,High,Auto ).

## Aspect Ratio

Press ◀ / ▶ button to select 16:9/4:3/Zoom1/Zoom2/Auto.

## Color Temp

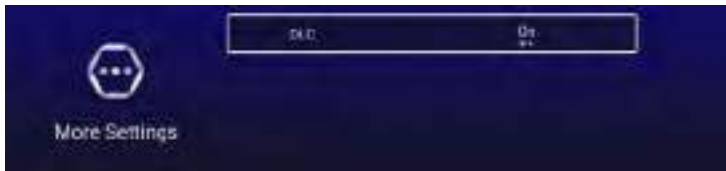
Adjust the overall color of the image.

Press ▼/▲ to select Colour Temperature and press ◀/▶ to select (Available options: Cool, Normal, Warm).

Cool	Produces a gentle blue-hued image.
Normal	Produces a vivid image.
Warm	Produces a red-hued image.

## More Settings

Press ▼/▲ to select More Settings.



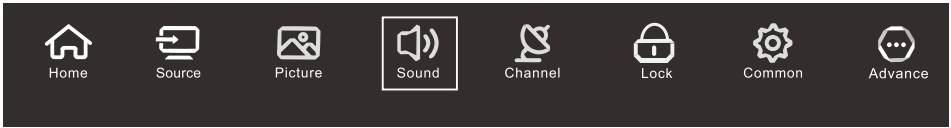
DLC

Press ▼/▲ to select DLC, press ◀/▶ to select On/Off.

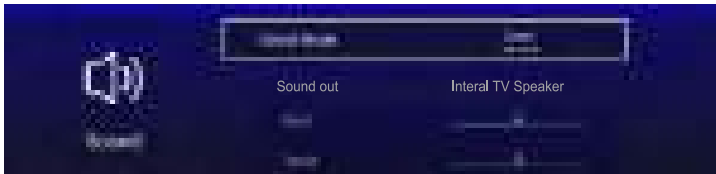
# Main Menu Operation

## Sound Menu

Press MENU button to display the main menu. Press ◀/▶ button to select SOUND in the main menu then press OK to enter the sub-menu.



Press ▼ / ▲ to select: Sound Mode/Sound out /Bass/Treble/Balance/AVC/Hearing Impaired / Audio Description/AD Volume/More Settings. Press OK /◀/▶ to select or adjust.



### Sound Mode

Press ▼ / ▲ button to select Sound Mode, then press ◀/▶ button to select (Available options: Standard, Music, Movie, News, User).

- |          |  |
|----------|--|
| Standard | Produces a balanced sound in all environments.           |
| Music    | Preserves the original sound. Good for musical programs. |
| Movie    | Enhances treble and bass for a rich sound experience.    |
| News     | Enhanced voice.  |
| User     | Select to customize picture settings.                    |

### Sound Out

Press ◀/▶ button to select Internal TV Speaker/SPDIF/HDMI ARC/Blue tooth/Headphone.

### Bass

Adjust the bass.

### Treble

Adjust the treble.

### Balance

Adjust the left and right channel output balance.

Press ▼/▲ button to select Balance, then press ◀/▶ button to adjust.

### AVC

Press ▼/▲ button to select AVC, then press ◀/▶ button to select On or Off.

### Hearing Impaired

Press ▲/▼ button to select Hearing Impaired, then press ◀/▶ button to select On or Off.

### Audio Description

Press ▲/▼ button to select Audio Description, then press ◀/▶ button to select On or Off.

### AD Volume

Press ▲/▼ button to select AD Volume, then press ◀/▶ button to adjust.

# Main Menu Operation

## More Settings



### Digital Audio Output

Press ▼/▲ button to select Digital Audio Output, then press ◀/▶ button to select RAW/PCM.

### SPDIF Delay

Press ▼/▲ button to select SPDIF Delay, then press ◀/▶ button to adjust.

### Surround

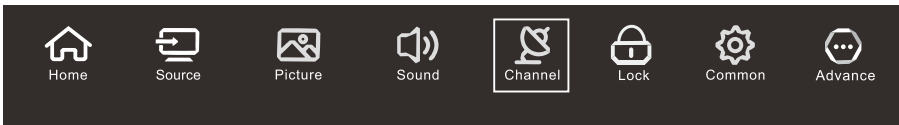
Press ▼/▲ button to select Surround, then press ◀/▶ button to select On/Off.

### Audio Only

Press ▼/▲ button to select Audio Only, then press ▶ button to select .

## Channel Menu

Press MENU button to display the main menu. Press ◀/▶ button to select CHANNEL in the main menu, then press OK to enter the sub-menu.



### Antenna Type

Press ▼/▲ button to select antenna type, press ◀/▶ button to select antenna type.

### Scan

Press ▼/▲ button to select Scan. Press OK button to enter the sub-menu. Then press ▼/▲ button to select Search Type.



# Main Menu Operation

## Auto Scan

Press ▼/▲ button to select Auto Scan, press OK to start scanning automatically.

## Analog Manual Scan

Press ▼/▲ button to select Analog Manual Scan, press OK to start scanning manually.



## Digital Manual Scan

Press ▼ / ▲ button to select Digital Manual Scan in DTV mode, and press OK start scanning manually.

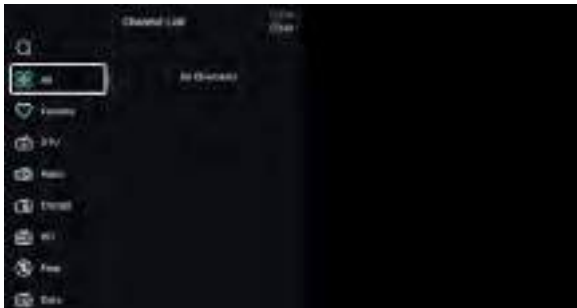


## Signal Information

Display channel information.

## Channel List

Press ▼ / ▲ button to select Channel List, then press MENU button to edit the channel.



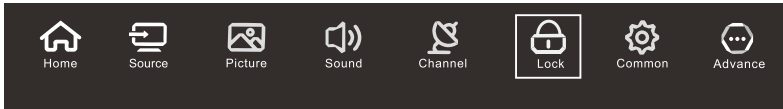
## CI Card

Press ▼/▲ button to select CI card, then press ► button to enter sub-menu operation.

# Main Menu Operation

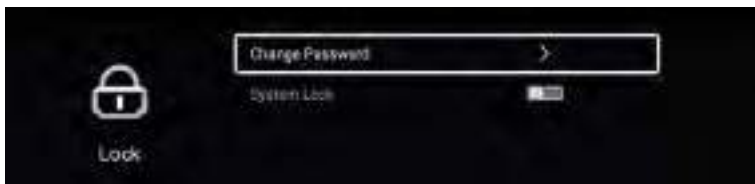
## System Lock

Press MENU button to display the main menu. Press ◀/▶ button to select lock in the main menu. The default password is "0000".



## Change PassWord

Change Password Press ▼/▲ button to select Change Password.

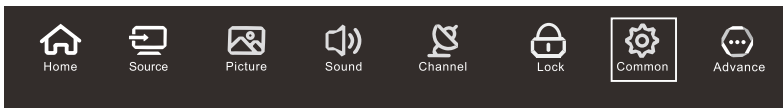


## System Lock

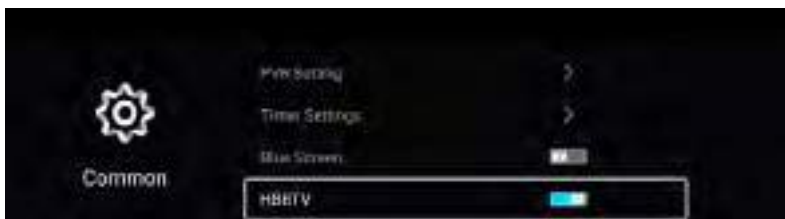
Press ▼/▲ button to select System Lock.

## Common

Press MENU button to display the main menu. Press ◀/▶ button to select common in the main menu,



Press ▼/▲ button to select PVR Setting/Timer Settings/BlueScreen/Teletext/Audio Language and more.  
Press ◀/▶ to select option for you want.



# Main Menu Operation

## PVR Setting

Press ▼/▲ button to select PVR Setting and Press OK button to enter the sub-menu.



## Timer Settings

Press ▼ / ▲ to select OSD Timer, Auto standby Timer, Sleep Timer,.

Press ◀ / ▶ to select option for you want.



## Blue Screen

Set the background color to blue when there is no input signal.

## HBBTV

Press ▼/▲ button to select HBBTV, then press ▶ button to select.

## Teletext

Press ▼/▲ button to select Teletext, then press ◀/▶ button to select.

## Audio Language

Press ▼/▲ button to select Audio Language, then press ▶ button to select.

# Main Menu Operation

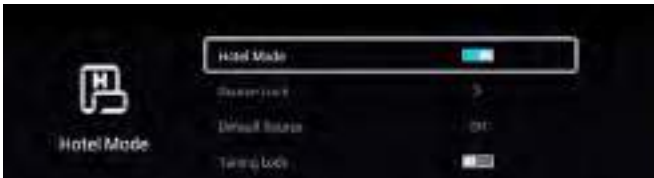
## HDMI CEC Setup

Press ▼/▲ button to select HDMI CEC Setup and Press OK button to enter the sub-menu.



## Hotel Mode

Press ▼/▲ button to select Hotel mode, and press “OK” to enter the sub-screen.  
Press ◀/▶ button to select option for you want.



## Menu Reset

Recall the default setting.

## Advance

Press **MENU** button to enter the main menu. Press ◀/▶ button to select Advance.  
Press OK button to enter the System Setting.

# Troubleshooting

## Identifying Problems

If there are any problems when using the product, please consult the list below. If the list does not solve the problem, call our Customer Service Center immediately.

### TV Problems

The TV can't be turned on.

- Make sure the AC cord is plugged in.
- Check the wall outlet, make sure the AC output works normally and stably.
- Select the Key Lock function in the OPTION Menu and press **OK** to uncheck the locking status.

### No picture or sound but the TV is on and there is a "No Signal" sign on screen.

- Are you trying to use an input source with no device connected to it? For using other video/audio device, make sure the external device works normally first, then press **Source** and choose the right input source.
- The signal type option may be set incorrectly.
- The channel may be blank. Try to search the channel again or change another channel.

### The sound is fine, but the picture is poor.

- If you can only get black and white pictures from external device that you've connected to your TV, maybe it is due to the video cables is not connected well, or they are connected wrongly. Check the connection stability first, then check the correctness.
- For AV input, the yellow video cable connects to the yellow Video In jack on the side of your TV. For Component input, the three Y, Pb, Pr video cables (red, blue, and green) should be connect to the corresponding input jacks on the side of your TV.
- Check the antenna connections. Make sure all of the cables are firmly connected to the TV jack on side of your TV.
- Try adjusting the color features to improve.

### There is no sound, but the picture is fine.

- The sound might be muted. Try pressing the **MUTE** button to restore sound.
- For using AV or Component, remember to connect the device's left and right audio output correctly. The left channel cable is white and the right channel cable is red. Please match the cables and jacks according to their colors.
- The sound settings may not be set correctly.
- If your audio source has only one jack or is a (mono) audio source, make sure you have plugged the connection into the Audio In L jack (white) on the TV.

### The buttons on the side panel don't work.

- Unplug the TV from the AC power for 10 minutes and then plug it back. Turn the TV on and try again.

### The TV turns off unexpectedly.

- The electronic protection circuit may have been activated because of a power surge. Wait 30 seconds and then turn the TV on again. If this happens frequently, the voltage in your house may be abnormal. If the other electronic equipment in your home can't work normally, consult a qualified service personnel.

### The Remote control doesn't work.

- Something might be blocking between the remote control and the remote sensor on the front panel of the TV. Make sure there is a clear path.
- The remote may not be aimed directly at the TV.
- The batteries in the remote may be weak, dead, or installed incorrectly. Put new batteries in the remote.

# SPECIFICATIONS

## Product Specifications

Model:	NVR-8074-40FHD2SB-SMAN
Video:	avi , MPEG
Music:	mp3
Photo:	jpg , jpeg, bmp, png
Screen resolution:	1920x1080
Working voltage:	100-240V ~ 50/60Hz
Rated power consumption:	75W
Dimensions:	892x562x214mm



The European Directive 2002/96 /EC on Waste Electrical and Electronic Equipment (WEEE) required that old household electrical appliances must not be disposed of in the normal unsorted municipal waste stream. Old appliances must be collected separately in order to optimize the recovery and recycling of the material they contain, and reduce the impact on human health and the environment. The crossed out "wheeled bin" symbol on the product remind you of your obligations that when you dispose of the appliance, it must be separately collected.

Besides that, waste batteries and/or accumulator must be removed prior to delivery of WEEE, through the separated collection channels provided for this purpose (distributors and/or facilities from Local Authorities) In order to fulfill ruling UNE EN-60335, we indicate that if the flexible wire is damaged, it can only be replaced or repaired by a technical service recognized by NEVIR S.A. as per special tooling is required.







# nevir

## MANUAL DE USUARIO



## NVR-8074-40FHD2SB-SMAN



### **IMPORTANTE**

Por favor lea este manual cuidadosamente antes de instalar el televisor.

Guarde este manual para futuras referencias.

# Tabla de contenido

Precaución y Advertencia.....	1
Precauciones de seguridad.....	2
Preparación para su nuevo televisor.....	3
Comprobar accesorios.....	3
Guía instalación de Soporte de TV.....	3
Especificaciones montaje en pared.....	4
Explicación Jacks de TV.....	5
Diagrama conexión de dispositivo externo.....	6
Teclado lateral y panel frontal.....	7
Botones de panel lateral.....	7
Panel frontal.....	7
Instrucciones de control remoto.....	8
Inserción de pilas en el mando a distancia.....	8
Angulo de recepción del control remoto.....	8
Aprendiendo sobre control remoto.....	9
Botones control remoto.....	9
Operaciones básicas.....	10
Encendido y apagado.....	10
Selección de fuente de entrada.....	10
Ajuste de pantalla OSD.....	10
Smart Tv.....	11
Multimedia.....	16
Menú Principal.....	18
Solución de problemas.....	26
Identificación de problemas.....	26
Especificaciones.....	27

---

*\* Las imágenes, funciones y otra información proporcionada en el manual son solo para referencia. Si no coincide con el objeto real, consulte el producto real.*

---



# Precaucion y Advertencia



## PRECAUCIÓN

RIESGO DE DESCARGA ELÉCTRICA  
NO ABRIR



Precaucion: Para reducir el riesgo de descarga electrica, no retire la cubierta ni la parte posterior. No hay partes que el usuario pueda reparar. Remitir el servicio al personal de servicio cualificado.



El simbolo del rayo con la punta de flecha, dentro de un triángulo equilátero, está destinado a alertar al usuario de la presencia de voltaje peligroso no aislado dentro de la caja del producto que puede ser de magnitud suficiente para constituir un riesgo de descarga electrica



El signo de exclamación dentro de un triángulo equilátero está destinado a alertar al usuario de la presencia de importantes instrucciones de operación y mantenimiento en la documentación que acompaña al televisor

ADVERTENCIA: PARA REDUCIR EL RIESGO DE INCENCO O DESCARGA ELECTRICA, NO EXPONGA ESTE APARATO A LA LLUVIA O HUMEDAD.

PRECAUCION: CAMBIOS O MODIFICACIONES NO APROBADOS EXPRESAMENTE POR LA PARTE RESPONSABLE DE EL CUMPLIMIENTO DE LAS NORMAS DE LA FCC PODRÍA EVITAR LA AUTORIDAD DE LOS USUARIOS PARA OPERAR ESTE EQUIPO.



# PRECAUCIONES DE SEGURIDAD

1. Lea estas instrucciones.
2. Guarde estas instrucciones.
3. Observe todas las advertencias.
4. Siga todas las instrucciones.
5. No use este aparato cerca del agua. Por ejemplo, no lo use cerca de una tina de lavandería, en un sótano húmedo, cerca de una piscina o similar.
6. Limpiar solo con un paño seco.
7. No bloquee las aberturas de ventilación. Instalar de acuerdo con las instrucciones del fabricante. Las ranuras y las aberturas en la parte posterior o inferior del armario se proporcionan para la ventilación, para asegurar el funcionamiento fiable del televisor y para protegerlo contra el calentamiento. Estas aberturas no deben ser bloqueadas o cubiertas. Las aberturas nunca deben bloquearse colocando el televisor en una cama, sofá, alfombra u otra superficie similar.
8. No instalar cerca de Fuentes de calor tales como radiadores, registros de calor, estufas u otros aparatos (incluyendo amplificadores) que produzcan calor.
9. No modifique el propósito de seguridad del enchufe polarizado o de conexión a tierra. Un enchufe polarizado tiene dos hjoas, una más ancha que la otra. Un enchufe con conexión a tierra tiene dos hojas y una tercera clavija de toma de tierra. La cuchilla ancha o la tercera clavija se proporciona para su seguridad. Si el enchufe suministrado no encaja en su toma de corriente, consulte con un electricista para reemplazar la toma de corriente obsoleta.
10. Proteja el cable de alimentación de que no se pise o se pellizque especialmente en los enchufes, receptáculos de conveniencia y el punto donde salen del aparato.
11. Utilice únicamente accesorios recomendados por el fabricante.
12. Úselo solo con el carro, Soporte, trípode o soporte de mesa recomendado por el fabricante o vendido junto con el aparato. Cuando se utilice un carro, tenga cuidado al mover la combinación carro/ aparato para evitar posibles desperfectos por vuelco. Una combinación de TV y carro deben moverse con cuidado. Las paradas rápidas, la fuerza excesiva y las superficies irregulares pueden hacer que la combinación de TV y carro vuelque.
13. Desenchufe este aparato durante tormentas eléctricas o cuando no se utilice durante largos periodos de tiempo. Para mayor protección de este receptor de TV durante una tormenta eléctrica o cuando no se utiliza durante largos periodos de tiempo, desconéctelo de la toma de corriente y desconecte la antena o el sistema de cable. Esto evitara dañar el televisor debido a los rayos y a las sobretensiones de la línea de alimentación.
14. Remitir todos los servicios al personal de servicio cualificado. Se requiere mantenimiento cuando el aparato ha sido dañado de alguna manera, ya sea el cable de alimentación o el enchufe, si se ha derramado líquido o se han caído objetos en el aparato, si el aparato ha sido expuesto a lluvia o humedad, no funciona normalmente o se ha dejado caer.
15. Este televisor debe funcionar solo con el tipo de alimentación indicado en la etiqueta de características. Si el cliente no está seguro del tipo de fuente de alimentación en su casa, consulte con el distribuidor de electrodomésticos o compañía eléctrica local. Para alimentación de la batería del mando a distancia del televisor, consulte el manual de instrucciones.
16. El televisor no debe estar expuesto a goteos o salpicaduras. No se deben colocar objetos llenos de líquidos, como jarrones, en el televisor.
17. Nunca inserte objetos de ningún tipo en este televisor a través de las aberturas, ya que pueden tocar una tensión peligrosa y otras partes eléctricas que podrían provocar un incendio o una descarga eléctrica. Nunca derrame líquidos de ningún tipo en el televisor.
18. Desconecte el televisor de la toma de corriente antes de limpiarlo. No utilice limpiadores líquidos o aerodinámicos, utilice un paño húmedo para limpiarlo.
19. Este televisor nunca debe colocarse cerca o sobre un radiador o una fuente de calor. Este televisor no debe colocarse en una instalación incorporada, como una estantería o estante, a menos que se proporcione una ventilación adecuada o se hayan cumplido las instrucciones del fabricante.
20. No coloque este televisor sobre un carro, soporte, trípode, soporte o mesa inestable. El televisor puede fallar, causando lesiones graves a alguien y daños graves al aparato.
21. No intente reparar este televisor por sí mismo. Abrirlo o quitar las cubiertas puede exponerlo a peligrosos voltajes u otros peligros. Remitir todos los servicios al personal de servicio cualificado.
22. **ADVERTENCIA:** Para prevenir lesiones, este aparato debe estar firmemente sujeto al piso/ pared de acuerdo con las instrucciones de instalación.



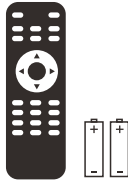
# Preparacion de su nuevo televisor

## Comprobar accesorios

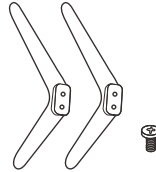
Compruebe los accesorios que están embalados con su TV.



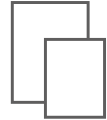
Televisor LED



Mando y baterias



Soporte de TV + 4x tornillos



Manual de usuario  
+  
garantía

## GUIA INSTALACION DE SOPORTE

Esta televisión esta empaquetada con los soportes separados del televisor. Para instalar el soporte de mesa, por favor lleve a cabo la instalación según las instrucciones detalladas a continuación.

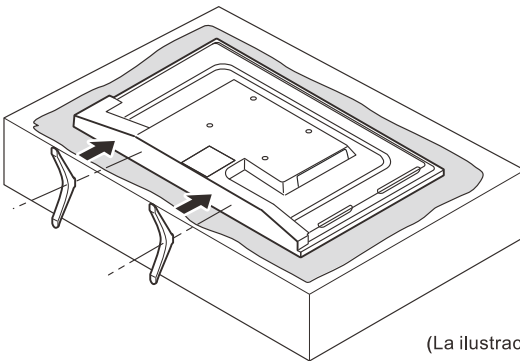
El panel se puede arañar fácilmente, por lo tanto:

Coloque un paño suave sobre la mesa y coloque el televisor boca abajo sobre el paño.

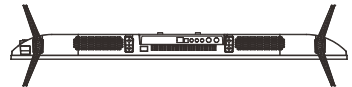
**Nota:** Desenchufe siempre el cable de CA primero cuando instale o extraiga el soporte.

1. Tome la base. Por favor, alinee los orificios de los tornillos de la base y el televisor, y luego inserte los tornillos en los agujeros de la base y apriételes.

**Nota:** Para asegurarse de que el televisor esté estable, bloquee todos los tornillos.



Por favor tome nota de la dirección de la base:



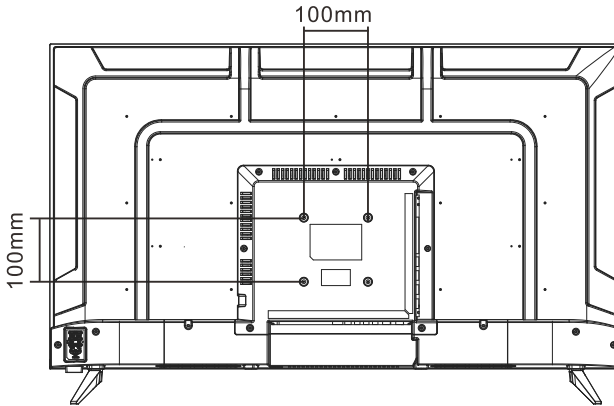
La vista inferior del televisor  
(el gabinete frontal hacia abajo)

(La ilustracion es de referencia, el modelo actual puede diferir de la imagen)

## Montaje en pared (si está disponible)

Dimensiones de la unidad (unidad:mm)	Tornillos
VESA 100x100mm	M4x6mm, 4pcs

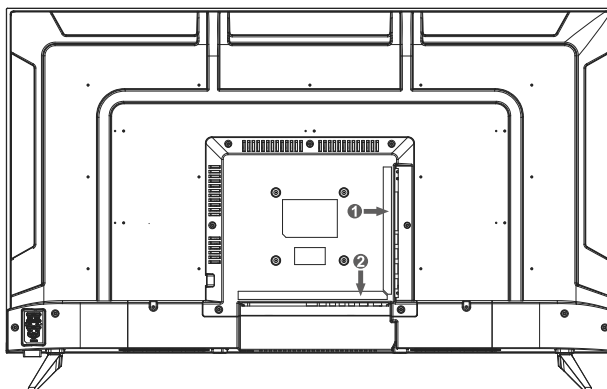
**NOTA:** La longitud del tornillo detallado es solo una recomendación; La longitud requerida puede variar dependiendo del tipo de soporte en pared usado.



### Advertencias:

1. No instale el soporte de pared por sí mismo. Póngase en contacto con profesionales cualificados para la instalación.
2. El televisor no debe montarse en paredes o superficies que tengan un ángulo de más de 10 grados con la dirección vertical. De lo contrario el televisor puede caer.
3. Las paredes para el montaje deben tener la fuerza suficiente para mantener todo el peso del televisor. Por ejemplo los muros de hormigón y los ladrillos son óptimos para ello. No coloque la montura en paredes blandas como paredes de cartón yeso.
4. Si se utilizan piezas de repuesto de diferentes características (como tornillos) durante el montaje, consulte a profesionales cualificados para asegurarse de que estas piezas son seguras y efectivas.
5. Antes de fijar la base en la pared, asegúrese de que los orificios de los anclajes se ajusten a las normas de instalación. De lo contrario, pueden surgir algunos problemas potenciales.
6. No coloque ninguna fuente de calor debajo de su televisor. De lo contrario, puede causar fuego.
7. No coloque el televisor cerca de objetos que goteen. Los transductores y los cables de alta tensión deben mantenerse lejos del aparato. De lo contrario, pueden causar arrastamiento, descarga eléctrica o mala resonancia.
8. No coloque el televisor en un lugar donde pueda producirse una colisión o vibración.
9. De cara a evitar una caída inesperada del televisor, no coloque nada que haga fuerza en el televisor o en el soporte.
10. Asegúrese de desconectar el televisor antes de instalarlo. Mantenga objetos duros o afilados lejos del panel de la pantalla para evitar rasguños.
11. Después de instalar, en caso de que haya alguna necesidad de mover la televisión, por favor póngase en contacto con profesionales cualificados.

# Explicación de Jacks de TV



1

HDMI1/ARC

HDMI2

HDMI3

USB2

USB1

CI

Earphone

2

RJ45

COAX

CVBS

L

R

RF(S2)

RF(T2)

**RJ45:** conecta Internet.

**COAX:** Salida de la televisión de sonido digital.

**CVBS :** Conecte a un dispositivo AV que tiene conectores de video compuestos como un reproductor VCR o DVD.

**L:** Conexión del canal de audio izquierdo. El conector de audio izquierdo es normalmente blanco.

**R:** Conexión del canal de audio derecho. El conector de audio derecho es normalmente rojo

**RF:** Conecte para recibir la señal de su antena o cable a través de un cable coaxial.

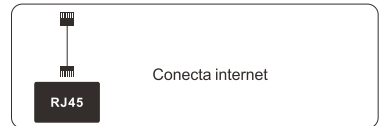
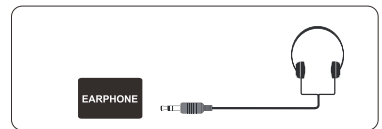
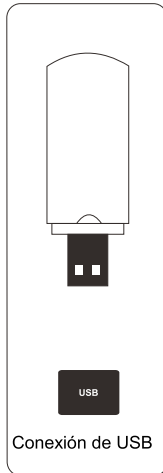
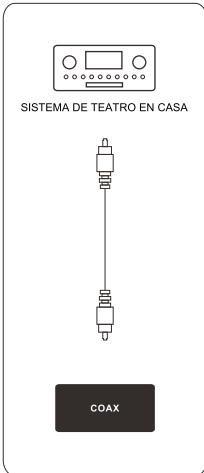
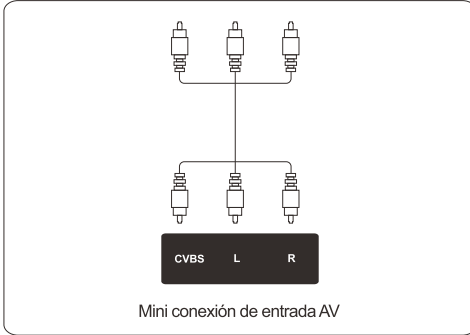
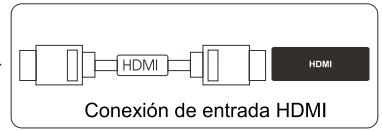
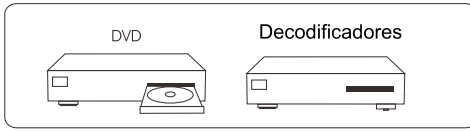
**HDMI:** (High-Definition Multimedia Interface) Proporciona una conexión digital sin comprimir.

**USB:** Conecte el dispositivo USB, como el disco flash para acceder a la función de medios del televisor.

**CI:** Lector de tarjeta CI.

**EARPHONE:** Conecte un auricular de 3,5 mm para audio personal.

# Diagrama de conexión de dispositivo externo

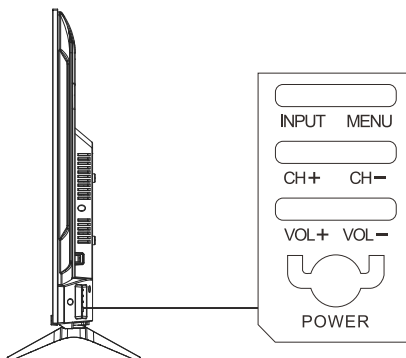




# Teclado lateral y panel frontal

## Botones del teclado

Si no puede ubicar su mando a distancia, puede usar los botones laterales del teclado en su televisor para operar muchas funciones de TV.



**INPUT:** Muestra la lista de selección de fuente.

**MENU:** Muestra el menú principal del televisor.

**CH+:** Escanea a través de la lista de canales. En el sistema de menú de TV, actúa como la flecha hacia arriba en el control remoto y se puede utilizar para seleccionar opciones de menú.

**CH-:** Escanea hacia abajo a través de la lista de canales. En el sistema de menú de TV, actúa como la flecha hacia abajo en el control remoto y puede usarse para seleccionar opciones de menú.

**VOL+:** Aumenta el volumen. En el sistema de menú de TV, actúa como la flecha derecha en el control remoto y puede usarse para seleccionar opciones de menú.

**VOL-:** Disminuye el volumen. En el sistema de menú de TV, actúa como la flecha izquierda del control remoto y puede usarse para seleccionar opciones de menú.

**POWER (⏻):** Enciende y apaga el televisor.

## Panel Frontal

**Indicador de Encendido / Espera:** Blanco e indicador apagado. Se muestra blanco cuando el televisor está en espera e indicador cuando se enciende.

**Sensor del mando a distancia:** sensor IR del mando a distancia, que recibe rayos infrarrojos enviados por el mando a distancia.



Indicador de Encendido / Espera  
Sensor de Control Remoto

NOTA: Si hay una lámina protectora sobre la pantalla, quítela antes de usar el televisor.

# Instrucciones Control Remoto

## Insertar pilas en el mando

1. Levante la tapa del compartimento de las pilas en la parte posterior del mando a distancia.
2. Inserte 2 pilas AAA, asegurándose de que las polaridades (+ y -) estén alineadas correctamente.
3. Coloque la tapa de nuevo.

### Si el control remoto no funciona, revise estos puntos:

- ¿Son las polaridades (+, -) correctas?
- ¿Están las pilas gastadas?
- ¿Hay un fallo de alimentación de CA?
- ¿Esta enchufado el cable de alimentación?
- ¿Hay alguna interferencia o bloqueo cerca del sensor del mando?

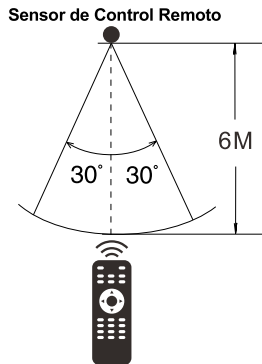
### PRECAUCION:

- Las baterías usadas se deben reciclar.
- Manténgase fuera del alcance de los niños.
- NO use pilas nuevas junto con viejas.
- Cambie ambas baterías a la vez.
- Cuando no vaya a usar el mando a distancia por un periodo de tiempo largo, extraiga las pilas de la unidad.

**Precaución:** Todas las baterías (empaquetadas o en uso) no deben ser expuestas a altas temperaturas como el calor del sol o el fuego.

## Angulo de Recepción del Control Remoto.

Utilice su control remoto a la distancia y Angulo mostrados debajo.



# Aprendiendo sobre el control remoto



## Botones control remoto

**POWER** ( ): Enciende, apaga y modo suspensión del televisor.

**MUTE** ( ): Reduce el volumen del televisor a nivel mínimo. Vuelve a pulsar para restaurar el volumen.

**RED/GREEN/YELLOW/BLUE**: Utilice funciones complementarias en el menú OSD.

**EPG**: Muestra la Guía Electrónica de Programas.

**HOME**: Pulse para abrir la página de inicio de Android.

**REC**: Muestra la guía del programa electrónica.

**SETUP**: Pulse para abrir el menú de configuración de Android.

**SUB-T**: Para mostrar la información de subtítulos.

**MOUSE**: Cambia al modo de ratón.

**TIME-SHIFT**: Presione para activar la función Time Shift en el modo de TV digital, para ver más tarde.

**TV/RADIO**: Cambiar entre TV y Radio (Utilizado solo para modelos con función DTV)

**TEXT**: Para entrar en el modo de teletexto.

**INDEX**: Para mostrar la página del índice.

**MIX**: La imagen de TV y TEXTO se mezclan en fondo transparente. Presione la función cam cambio de hora activa en el modo de TV para una visualización retardada.

**REVEAL**: Modo de teletexto: Para revelar u ocultar las palabras ocultas.

**HOLD**: Modo de teletexto-Ocultar la página actual que se muestra.

**SUBPAGE**: Acceso de página con subcodigo.

**SIZE**: Cambie el tamaño de la pantalla en modo teletexto.

**CANCEL**: Para cancelar la visualización.

▶ || Reproducir o pausar archivos multimedia.

■ Dejar de reproducir archivos multimedia.

◀▶ Revisión rápida y avance rápido.

◀◀▶▶ Seleccionar el anterior o el siguiente archivo multimedia.

**INFO**: Presione para mostrar la información actual del programa en la pantalla.

**INPUT**: Accede a los canales de entrada disponibles. Use las flechas para resaltar opciones y pulse ok para seleccionar.

**MENU**: Accede al Menú principal o regresa al nivel superior de un submenú.

**EXIT**: Sale del menú o función actual.

**Flechas** (◀/▶/▲/▼): Utilice las cuatro flechas para resaltar diferentes elementos en el menú de TV o cambiar el valor.

**OK**: Boton de entrar y confirmar.

**VOL+** or **VOL-**: Aumenta o disminuye el volumen del televisor.

**CH+** or **CH-**: Para acceder a los canales siguientes o anteriores.

**AUDIO**: Cambia el canal del audio en modo DVD o multimedia.

**SLEEP**: Selecciona el temporizador de apagado, después del cual el televisor se apagará automáticamente.

**Botón de números**: Pulse 0-9 para seleccionar un canal directamente.

**“-/-”**: Para cambiar el dígito de canal

(↶): Vuelve al canal anterior.

**P. MODE**: Cambia entre el modo de imagen predefinido.

**FAV.**: Mostrar la lista de canales favoritos.

**S. MODE**: Cambia entre el modo de sonido preestablecido.

## NOTA:

- ◆ Todas las imagines de este manual son ejemplos, solo para su referencia, el producto actual puede diferir de las imágenes.
- ◆ Los botones no mencionados aquí no se usan

# Operaciones Basicas

## Encendido y apagado

Conecte al cable CA al encender la TV. En este momento, la TV entra en el modo standby y el indicador eléctrico se vuelve Blanco. Use el botón eléctrico (⏻) en el panel lateral de a TV o en el control remoto para encender la TV. Tras apagar la TV durante 5 segundos, puede encender de nuevo la TV.

## Seleccionar fuente de entrada



Presione el botón INPUT para mostrar la lista fuente de entrada;  
Pulse el botón ▲/▼ para seleccionar la fuente de entrada que desea ver;  
Pulse el botón OK para llegar a la fuente de entrada;

## Ajuste la pantalla OSD

- Pulse el botón MENU para mostrar el MENÚ PRINCIPAL OSD;
- Pulse el botón ◀/▶ para seleccionar el MENÚ que desea;
- Pulse el botón OK para llegar al submenú y presione el botón MENU para regresar al menú anterior.
- Pulse el botón ▲/▼ para seleccionar la opción y después pulse el botón OK para llegar al submenú, presione el botón ◀/▶ para ajustar el valor o presionar el botón ◀/▶ para seleccionar al menú anterior;

Puede presionar el botón MENU para guardar y volver al menú anterior y presione el botón EXIT para salir del menú entero.

# SMART TV

En el modo Smart TV, presione el botón "HOME" en el control remoto para ingresar a la página principal. Presione los botones de flecha ▼ / ▲ / ◀ / ▶ para seleccionar un icono y presione "OK" para ingresar a la pantalla secundaria.



Presione ▼ / ▲ / ◀ / ▶ para seleccionar Aplicaciones, presione el botón OK para ingresar a la Lista de aplicaciones



# SMART TV

## Ajustes

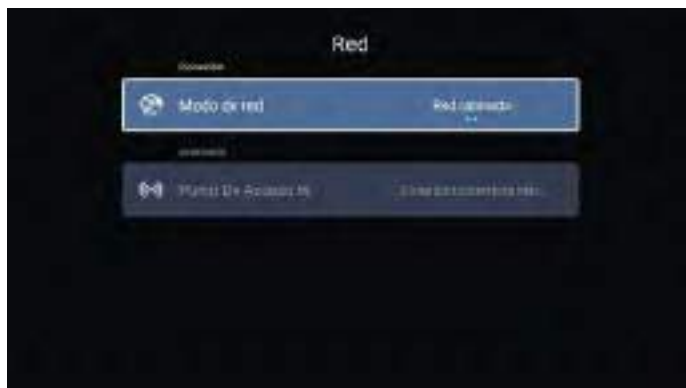
Presione ▼ / ▲ / ◀ / ▶ para seleccionar Configuración en el Menú Inicial. Presione OK para ingresar al submenú. Presione ◀ / ▶ para seleccionar Red / Hora / Común / Información del sistema.



# SMART TV

## Ajuste de red

Presione el botón ◀ / ▶ para seleccionar Red.



## Ajuste de WI-FI

Seleccione su red Wi-Fi, luego ingrese la contraseña para conectarse.



# SMART TV

## Ajustes de hora

Presione el botón ◀ / ▶ para seleccionar Hora.



Automática: obtenga la hora y fecha actuales automáticamente.

Zona horaria: seleccione la zona horaria local.

Horario de verano: seleccione Horario de verano.

Edición de hora: establezca la hora actual.

Formato de fecha: establezca el formato de fecha.

24 horas: seleccione 12 horas o 24 horas.

Tiempo de protector de pantalla: establezca el tiempo de protector de pantalla como Apagado /1 min/2 min/5 min.

Temporizador de apagado: configure el temporizador de apagado como Apagado /15min/30min/45min/60min/90min/120min/240min.

## Ajustes Comunes

Presione el botón ◀ / ▶ para seleccionar Común.



Configuración de idioma: selecciona el idioma de visualización actual.

Método de entrada: seleccione el método de entrada.

Fondo de pantalla: Establecer el fondo de pantalla.

Recuperación del sistema: recupere el sistema al estado original

El nombre del dispositivo: establezca el nombre del dispositivo.



# SMART TV

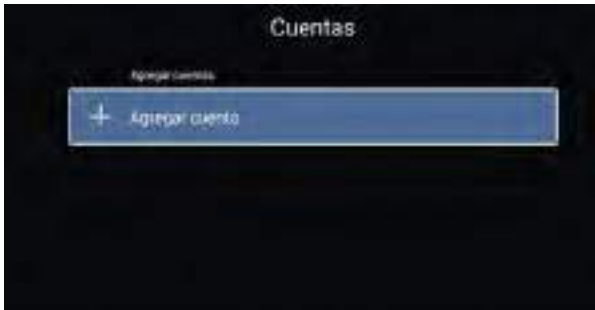
## Bluetooth

Presione el botón ◀/▶ para seleccionar Bluetooth e ingresar al submenú. Seleccione el dispositivo Bluetooth en la lista y, a continuación, pulse el dispositivo Bluetooth para iniciar el emparejamiento, y podrá use el dispositivo Bluetooth después de que el emparejamiento se haya realizado correctamente.



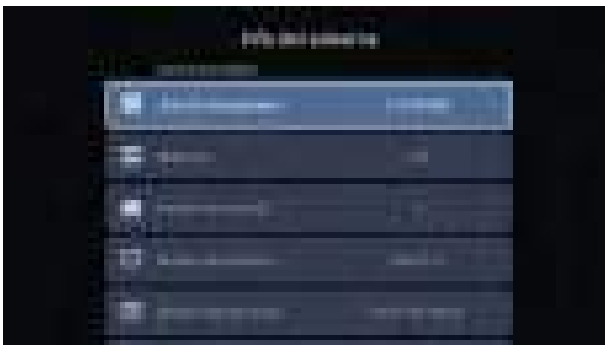
## Accounts

Presione el botón ◀ / ▶ para seleccionar Cuenta.



## Información del Producto

Información sobre el televisor.



# MULTIMEDIA

## Multimedia

Nota: Antes de operar el menú de Medios, conecte un dispositivo USB. Seleccione Medios en el Iniciador y presione "Aceptar" para ingresar a la pantalla secundaria. Presione ▼ / ▲ / ◀ / ▶ para seleccionar (Todos/Video /Audio / Imagen ).



Presione el botón ▼ / ▲ / ◀ / ▶ para seleccionar el video y presione el botón OK para ingresar. Presione el botón Menú para mostrar las opciones de configuración en el lado izquierdo, luego presione los botones de flecha en el control remoto para seleccionar la opción que desea operar.

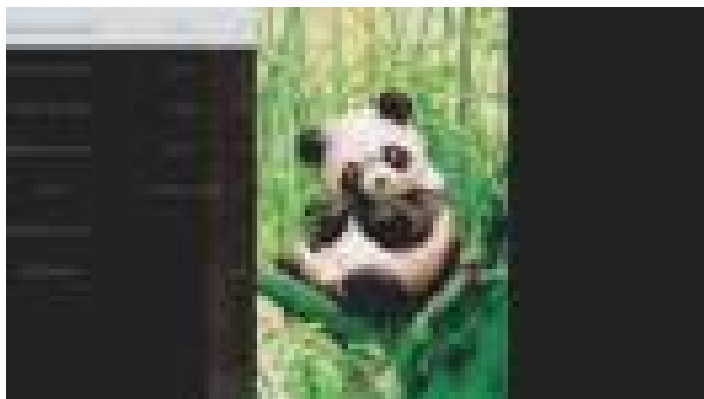


## MULTIMEDIA

Presione el botón ▼/▲/◀/▶ para seleccionar la Música y presione el botón OK para ingresar. Presione el botón Menú para mostrar las opciones de configuración en el lado izquierdo, luego presione los botones de flecha en el control remoto para seleccionar la opción que desea operar.



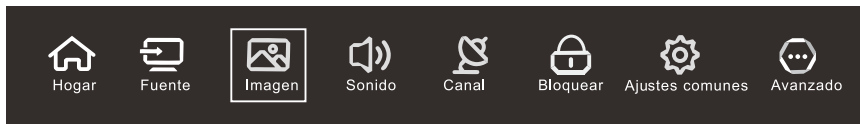
Presione el botón ▼/▲/◀/▶ para seleccionar el Imagen y presione el botón OK para ingresar. Presione el botón Menú para mostrar las opciones de configuración en el lado izquierdo, luego presione los botones de flecha en el control remoto para seleccionar la opción que desea operar.



# Menú Principal

## Menú imagen

Presione el botón ◀/▶ para seleccionar IMAGEN en el menú principal.  
Presione OK para ingresar al submenú



Presione ▼/▲ para seleccionar: Modo de imagen / Contraste / Brillo / Color / Nitidez / Luz de fondo / Reducción de ruido / Relación de aspecto / Temperatura de color / Más ajustes.  
Presione ◀/▶ para ajustar o seleccionar.



## Modo de Imagen

Presione el botón ▼/▲ para seleccionar Modo imagen, luego presione el botón ◀/▶ para seleccionar (Opciones disponibles: Estándar, Película, Suave, Ahorro de energía, Usuario).

**Estándar:** El modo predeterminado que permite a los usuarios experimentar imágenes de alta calidad bajo luz normal.

**Dinámico:** Mejore el contraste, el color y la claridad de la pantalla, de modo que la imagen en la dinámica equilibre el color.

**Suave:** Reduce el contraste, el color y la claridad de la pantalla para que la pantalla se vea suave.

**Ahorro de energía:** Seleccionar un modo de ahorro de energía.

**Usuario:** Configuración de imagen definidas por el usuario.

# Menú Principal

## Contraste / Brillo / Color / Nitidez / Luz de fondo

Haga clic en ▼ / ▲ para seleccionar y presione ◀ / ▶ para ajustar.

Contraste: Ajusta el contraste de la imagen.

Brillo: Ajusta el brillo de la imagen.

Color: Ajusta la densidad del color de la imagen.

Nitidez: Ajusta la densidad del Nitidez de la imagen.

Retroiluminación de color: Ajusta el brillo de la luz de fondo de la pantalla.

## Reducción de ruido

Configure la opción para eliminar la intensidad del ruido de la imagen.

Presione ▼ / ▲ para seleccionar Reducción de ruido y presione ◀ / ▶ para seleccionar (Opciones disponibles: Desactivado, Bajo, Medio, Alto, Automático).

## Relación de aspecto

Presione el botón ◀ / ▶ para seleccionar 16: 9/4: 3 / Zoom1 / Zoom2 / Auto.

## Temperatura de color

Ajusta el color general de la imagen.

Presione ▼ / ▲ para seleccionar Temperatura de color y presione ◀ / ▶ para seleccionar (Opciones disponibles: Frío, Normal, Cálido)

Fría: Produce una imagen suave en tonos azules.

Normal: Produce una imagen vívida.

Cálido: Produce una imagen en tonos rojos.

## Más ajustes

Presione ▼ / ▲ para seleccionar Más configuraciones.



DLC

Presione ▼ / ▲ para seleccionar DLC, presione ◀ / ▶ para seleccionar Encendido / Apagado.

# Menú Principal

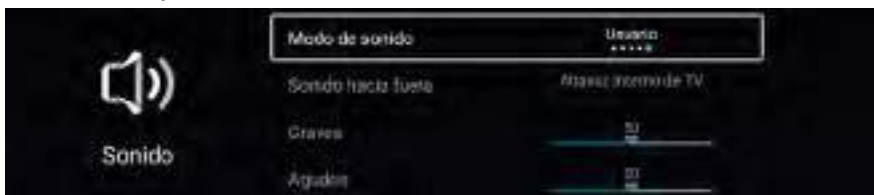
## Menú Sonido

Presione el botón MENÚ para mostrar el menú principal. Presione el botón ◀/▶ para seleccionar SONIDO en el menú principal y luego presione OK para ingresar al submenú



Presione ▼ / ▲ para seleccionar

Modo de sonido / Graves / Apagado/Agudos /Equilibrar /AVC / Discapacidad auditiva/ Descripción de aud/Volumen AD/Más configuraciones. Presione OK/ ◀/▶ para seleccionar o ajustar.



Modo de sonido

Presione el botón ▼ / ▲ para seleccionar Modo de sonido, luego presione el botón ◀ / ▶ para seleccionar (Opciones disponibles: Estándar, Música, Teatro, Noticias, Usuario).

Standard: Produce un sonido equilibrado en todos los entornos.

Música: conserva el sonido original. Bueno para programas musicales.

Película: Mejora los agudos y graves para una experiencia de sonido rica.

Noticias: Voz mejorada.

Usuario: Seleccione para personalizar la configuración de la imagen.

Sound Out

Presione el botón ◀ / ▶ para seleccionar Altavoz de TV interno /SPDIF/HDMI ARC/Diente azul / Auriculares.

Bajo: Ajusta los graves.

Treble: Ajusta los agudos.

Equilibrado: Ajuste el balance de salida del canal izquierdo y derecho.

Presione el botón ▼ / ▲ para seleccionar Balance, luego presione el botón ◀ / ▶ para ajustar.

AVC

Presione el botón ▼ / ▲ para seleccionar AVC, luego presione el botón ◀ / ▶ para seleccionar Encendido o Apagado.

Discapacidad auditiva

Presione el botón ▼ / ▲ para seleccionar discapacidad auditiva, luego presione el botón ◀/▶ para seleccionar Encendido o Apagado.

Descripción de aud

Presione el botón ▼ / ▲ para seleccionar Descripción de aud, luego presione el botón ◀/▶ para seleccionar Encendido o Apagado.

Volumen AD

Presione el botón ▼/▲ para seleccionar Volumen AD, luego presione el botón ◀/▶ para ajustar.

# Menú Principal

## Más ajustes



### Salida de audio digital

Presione el botón ▼/▲ para seleccionar Salida de audio digital, luego presione el botón ◀/▶ para seleccionar RAW/PCM.

### Retraso SPDIF

Presione el botón ▼/▲ para seleccionar SPDIF Delay, luego presione el botón ◀/▶ para ajustar.

### Sonido Envolvente

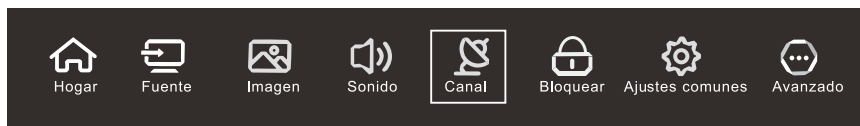
Presione el botón ▼ / ▲ para seleccionar Envolvente, luego presione el botón ◀/▶ para seleccionar On/Off.

### Sólo audio

Presione el botón ▼ / ▲ para seleccionar Solo audio, luego presione el botón ▶ para seleccionar.

## Menú Canal

Presione el botón MENÚ para mostrar el menú principal. Presione el botón ◀ / ▶ para seleccionar CANAL en el menú principal, luego presione OK para ingresar al submenú.



### Tipo de antena

Presione el botón ▼/▲ para seleccionar el tipo de antena, presione el botón ◀ / ▶ para seleccionar el tipo de antena.

### Escáner

Presione el botón ▼/▲ para seleccionar Escanear. Presione el botón OK para ingresar al submenú. Luego presione ▼/▲ para seleccionar el tipo de búsqueda.

# Menú Principal

## Auto escáner

Presione el botón ▼ / ▲ para seleccionar Auto Scan, presione OK para comenzar a escanear automáticamente.

## Exploración manual analógica

Presione el botón ▼ / ▲ para seleccionar Exploración manual analógica, presione OK para iniciar la exploración manualmente.



## Escaneo digital manual

Presione el botón ▼ / ▲ para seleccionar escaneo Digital Manual en modo TDT y presione OK para comenzar a escanear

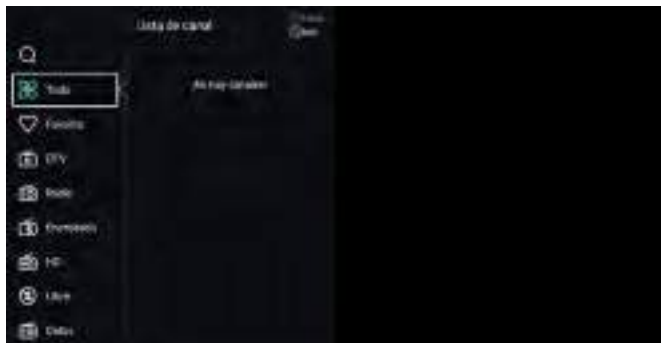


## Información de señal

Muestra la información del canal.

## Lista de canales

Presione el botón ▼ / ▲ para seleccionar Lista de canales, luego presione el botón MENÚ para editar el canal.



## Tarjeta CI

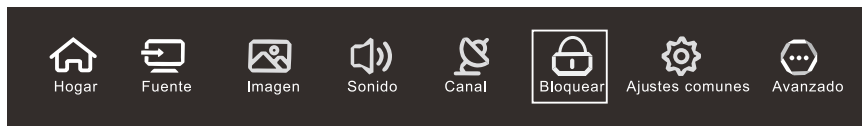
Presione el botón ▼ / ▲ para seleccionar la tarjeta CI, luego presione el botón ► para ingresar a la operación del submenú.



# Menú Principal

## Bloqueo del sistema

Presione el botón MENÚ para mostrar el menú principal. Presione el botón ◀ / ▶ para seleccionar el bloqueo del sistema en el menú principal. La contraseña predeterminada es "0000"



## Cambia la contraseña

Cambiar contraseña Presione el botón ▼ / ▲ para seleccionar Cambiar contraseña.

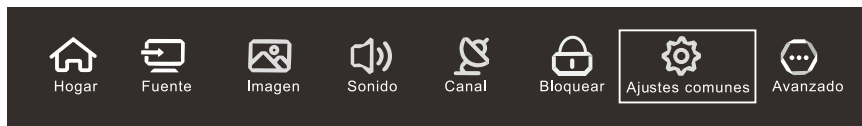


## Bloqueo del sistema

Presione el botón ▼ / ▲ para seleccionar Bloqueo del sistema.

## Común

Presione el botón MENÚ para mostrar el menú principal. Presione el botón ◀ / ▶ para seleccionar común en el menú principal,



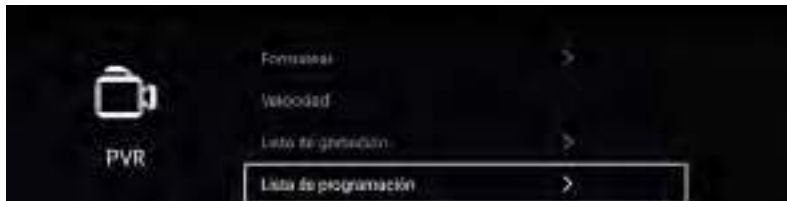
Presione el botón ▼ / ▲ para seleccionar Configuración de PVR / Configuración de temporizador / Pantalla azul / Teletexto / Idioma de audio y más. Presione ◀/▶ para seleccionar la opción que desee.



# Menú Principal

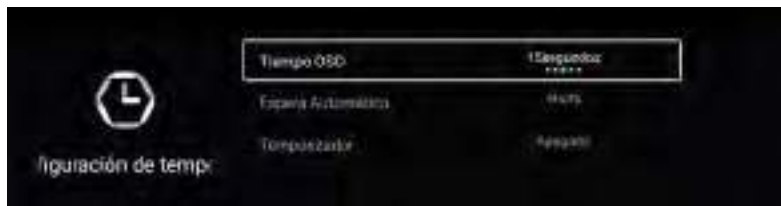
## Configuración de PVR

Presione el botón ▼ / ▲ para seleccionar Configuración de PVR y presione el botón OK para ingresar al submenú.



## Configuración de hora

Presione ▼ / ▲ para seleccionar Temporizador OSD, Temporizador de espera automático, Temporizador de reposo. Presione ◀ / ▶ para seleccionar la opción que desee.



## Pantalla azul

Establezca el color de fondo en azul cuando no haya señal de entrada.

## HBBTV

Presione el botón ▼/▲ para seleccionar HBBTV, luego presione el botón ▶ para seleccionar.

## Teletexto

Presione el botón ▼/▲ para seleccionar Teletexto, luego presione el botón ◀/▶ para seleccionar.

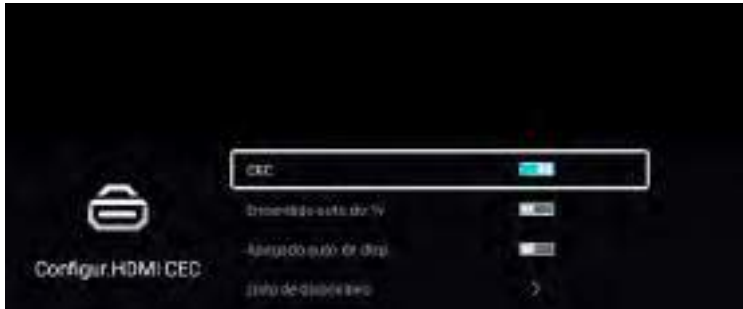
## Idioma de audio

Presione el botón ▼/▲ para seleccionar Audio Language, luego presione el botón ▶ para seleccionar.

# Menú Principal

## Configuración HDMI CEC

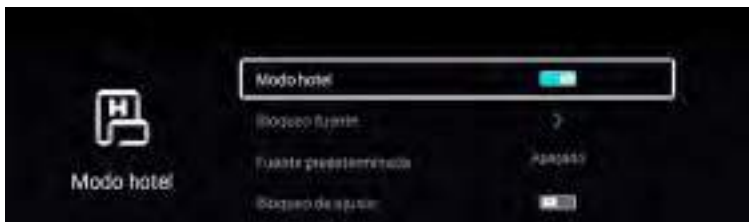
Presione el botón ▼ / ▲ para seleccionar Configuración HDMI CEC y presione el botón OK para ingresar al submenú.



## Modo Hotel

Presione el botón ▼ / ▲ para seleccionar el modo Hotel y presione "OK" para ingresar a la pantalla secundaria.

Presione el botón ◀ / ▶ para seleccionar la opción que desee.



## Reinicio del menú

Recupera la configuración predeterminada.

## Avance

Presione el botón MENÚ para ingresar al menú principal. Presione el botón ◀ / ▶ para seleccionar Avanzado. Presione el botón OK para ingresar a la Configuración del sistema.

# Solucion de problemas

## Identificar problemas

Si tiene algún problema usando el producto, por favor consulte la lista a continuación. Si la lista no resuelve su problema, llame a nuestro Servicio de Atención al Cliente inmediatamente

### Problemas del Televisor.

El televisor no se enciende.

- Asegúrese de que el cable AC este enchufado.
- Verifique la toma de corriente de la pared, asegúrese de que la salida AC funciona de manera normal y estable.
- Seleccione la función de Bloqueo en las opciones del menú y presione OK para desmarcar el estado del bloqueo.

No hay imagen ni sonido pero el televisor esta encendido y hay un cartel de “SIN SEÑAL” en la pantalla.

- ¿Está tratando de usar una fuente de entrada sin ningún dispositivo conectado a ella? Para usar otro dispositivo de video/ Audio, asegúrese de que el dispositivo externo funciona normalmente, luego presione FUENTE y elija la fuente de entrada de la derecha.

- La opción de tipo de señal puede estar configurada incorrectamente.
- El canal puede estar en blanco. Intente buscar el canal de nuevo o probar con otro canal.

El sonido es correcto pero la imagen pobre.

- Si solo puede obtener imágenes en blanco y negro desde un dispositivo externo que haya conectado a su televisor, tal vez se deba a que los cables de video no están bien conectados. Compruebe el estado de la conexión.
- Para la entrada de AV, el cable de video Amarillo se conecta a la toma de entrada de video amarilla en el costado de su televisor. Para la entrada de componentes, los tres cables de video Y, Pb Pr (rojo, azul y verde) deben conectarse a las tomas de entrada correspondientes en el lateral de su televisor.
- Compruebe la conexión de la antena. Asegúrese de que todos los cables están conectados firmemente a la toma de entrada de la televisión en el lateral.
- Intente ajustar los colores.

No hay sonido pero la imagen es correcta.

- El sonido puede estar silenciado. Intente presionar el botón MUTE para restaurar el sonido.
- Para usar AV o un componente, recuerde conectar correctamente la salida de audio izquierda y derecha del dispositivo. El cable del canal izquierdo es blanco y el cable del canal derecho es rojo. Por favor, haga coincidir los cables y las tomas de acuerdo a sus colores.
- La configuración del sonido puede no estar ajustada correctamente.
- Si su fuente de audio tiene solo un conector o es una fuente de audio MONO, asegúrese de haber conectado el conector en la entrada de AUDIO (blanco) en su televisor.

Los botones en el panel lateral no funcionan.

- Desenchufe el televisor de la toma de corriente durante 10 minutos y luego vuelva a enchufarlo. Encienda el televisor y vuelva a intentarlo.

El televisor se apaga repentinamente.

- El circuito de protección electrónica puede haberse activado debido a una sobretensión. Espere 30 segundos y luego encienda el televisor nuevamente. Si esto sucede con frecuencia, el voltaje en su casa puede ser anormal. Si el resto de dispositivos electrónicos en su hogar no funcionan correctamente, consulte un técnico cualificado.

El control remoto no funciona.

- Algo podría estar bloqueando la señal entre el control remoto y el sensor remoto en el panel frontal de la TV. Asegúrate de que no hay ningún objeto en medio
- El control remoto puede no estar apuntando directamente a la televisión
- Las baterías del control remoto pueden estar flojas, gastadas o instaladas incorrectamente. Coloque pilas nuevas en el control remoto.

# Especificaciones

## Especificaciones del producto

<b>Modelo:</b>	<b>NVR-8074-40FHD2SB-SMAN</b>
<b>Video:</b>	<b>avi, MPEG</b>
<b>Musica:</b>	<b>mp3</b>
<b>Foto:</b>	<b>jpg , jpeg, bmp, png</b>
<b>Resolucion de pantalla:</b>	<b>1920x1080</b>
<b>Voltaje:</b>	<b>100-240V ~ 50/60Hz</b>
<b>Consumo de potencia nominal:</b>	<b>75W</b>
<b>Dimensiones:</b>	<b>892x562x214mm</b>



**“ELIMINACIÓN DE RESIDUOS DE EQUIPOS ELÉCTRICOS Y ELECTRÓNICOS POR PARTE DE USUARIOS PARTICULARES EN LA UNIÓN EUROPEA”**

Según la directiva de Residuos de Aparatos Eléctricos y Electrónicos (RAEE), los residuos AEE han de recogerse y tratarse por separado. Si en un futuro necesita desprenderse de este producto NO lo ponga en los residuos domésticos, envíelo a los puntos de recogida de residuos existentes en su área. De igual manera debe extraer los residuos de pilas y/o acumuladores antes de la entrega del RAEE a través de los canales de recogida separada habilitados al efecto (distribuidores y/o instalaciones de las Entidades Locales)

# DECLARACIÓN DE CONFORMIDAD

**NEVIR, S.A.** declara bajo su responsabilidad que el aparato indicado cumple los requisitos de las siguientes directivas:

## DIRECTIVA EMC

EN 55032:2015  
EN 55035:2017  
EN61000-3-2:2014  
EN 61000-3-3:2013

## DIRECTIVA RED

2014/53/EU  
ETSI EN 303 340 V1.1.2:2016

## DIRECTIVA ROHS

2011/65/EU,(EU) 2015/863

## LOW VOLTAGE DIRECTIVA EEC

Product Name: 39.5" LED TV  
Model/Type No.: D395N215\_20-F-T2S2-S,  
NVR-8074-40FHD2SB-SMAN,  
XXXXXXXXXXXXXXXX32XXXXXXXXXXXXXXXX  
(Where "X" can be any alphanumeric of  
a-z, A-Z or 0-9 or blank &"-".)

Standard:EN 60065:2014

Descripción del aparato: **TV 39.5" DLED FULL HD**

Modelo **NEVIR NVR-8074-40FHD2SB-SMAN**

Importador: **NEVIR, S.A.**

Dirección del importador: **NEVIR, S.A.**

**C/ Francisco Rabal, 3  
Polig. Ind. La Garena  
28806 – Alcala  
de Henares Madrid**



